



Passive DAS Product Catalog



Diplexer Combiner (698-3800)

Model: 121.06383

Product Features:

- 50 dB input isolation
- Very low insertion loss
- Excellent intermodulation performance
- Built-in lightning protection
- Wall or mast mounting

Technical Specifications:

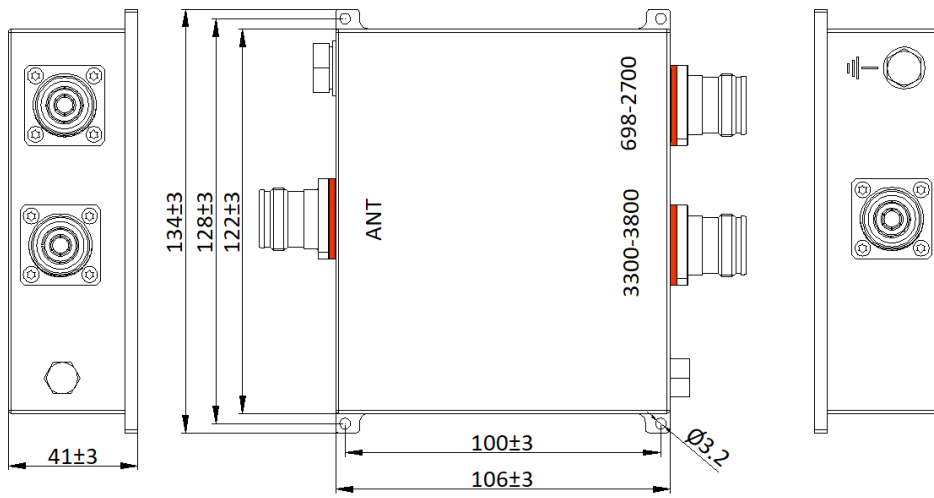
Electrical		
Frequency Range	Port 1	698-2700 MHz
	Port 2	3300-3800 MHz
Insertion Loss	≤0.3 dB	
Isolation	≥50 dB	
Return Loss/VSWR	≤-19dB/1.25	
PIM, 3rd Order	≤ -153 dBc (2 x 43 dBm carrier)	
Average Power, Maximum	300 W	
Impedance	50Ω	
DC/AISG	By-pass(max.3000mA)	
Lightning Protection	3KA; 10/350μs pulse	

Mechanical	
Operating Temperature	-40°C to +65°C
Storage Temperature	-40°C to +85°C
Relative Humidity	0% - 95%
Classification of Waterproof	IP65
Dimensions (H x W x D)	122*106*41mm
Net Weight (with installation kit)	≤1.1kg
Connector	4.3-10 Female

Technical specifications are subject to change without prior notice.



Outline Drawing:



Technical specifications are subject to change without prior notice.



Triplexer Combiner (698-2700)

Model: 131.06273

Product Features:

- 50 dB input isolation
- Very low insertion loss
- Excellent intermodulation performance
- Built-in lightning protection
- Wall or mast mounting

Technical Specifications:

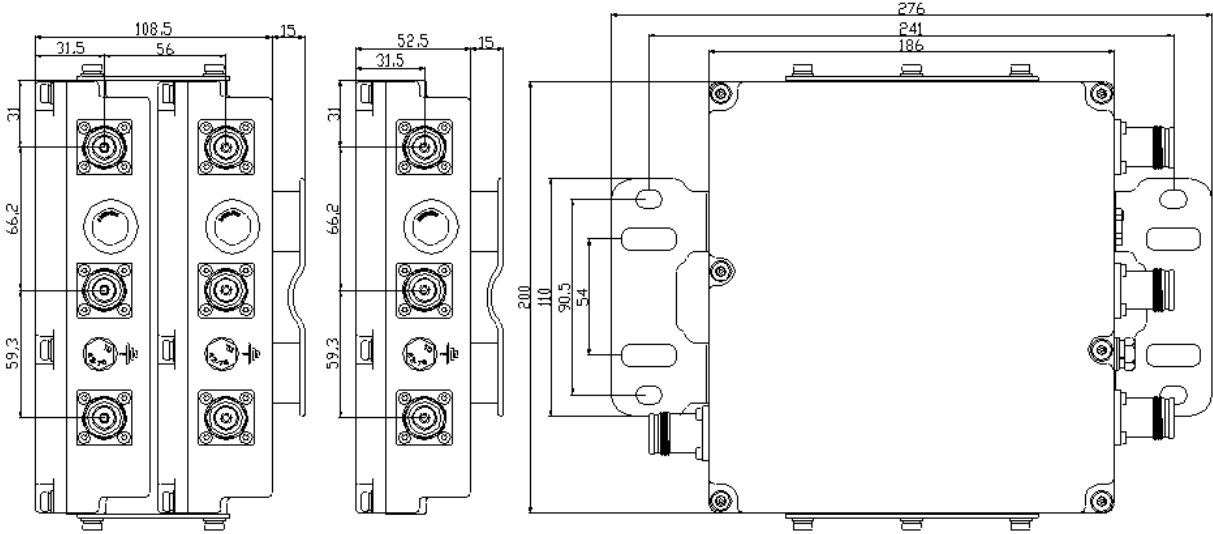
Electrical		
Frequency Range	Port 1	698-862 MHz
	Port 2	880-960 MHz
	Port 3	1695-2700 MHz
Insertion Loss	≤0.5 dB	
Isolation	≥50 dB	
VSWR	≤1.22	
PIM, 3rd Order	≤ -160 dBc (2 x 43 dBm carrier)	
Average Power, Maximum	200 W	
Impedance	50Ω	
DC/AISG	By-pass(max.3000mA)	
Lightning Protection	10KA; 10/350μs pulse	

Mechanical	
Operating Temperature	-20°C to +65°C
Storage Temperature	-40°C to +85°C
Relative Humidity	5% - 95%
Classification of Waterproof	IP67
Dimensions (H x W x D)	200*186*52.5mm
Net Weight (with installation kit)	≤2.5 kg
Connector	4.3-10 Female

Technical specifications are subject to change without prior notice.



Outline Drawing:



Technical specifications are subject to change without prior notice.



Quadplexer Combiner (600-3800)

Model: 141.06383

Product Features

- 50 dB input isolation
- Very low insertion loss
- Excellent intermodulation performance
- Built-in lightning protection
- Wall or mast mounting

Technical Specifications

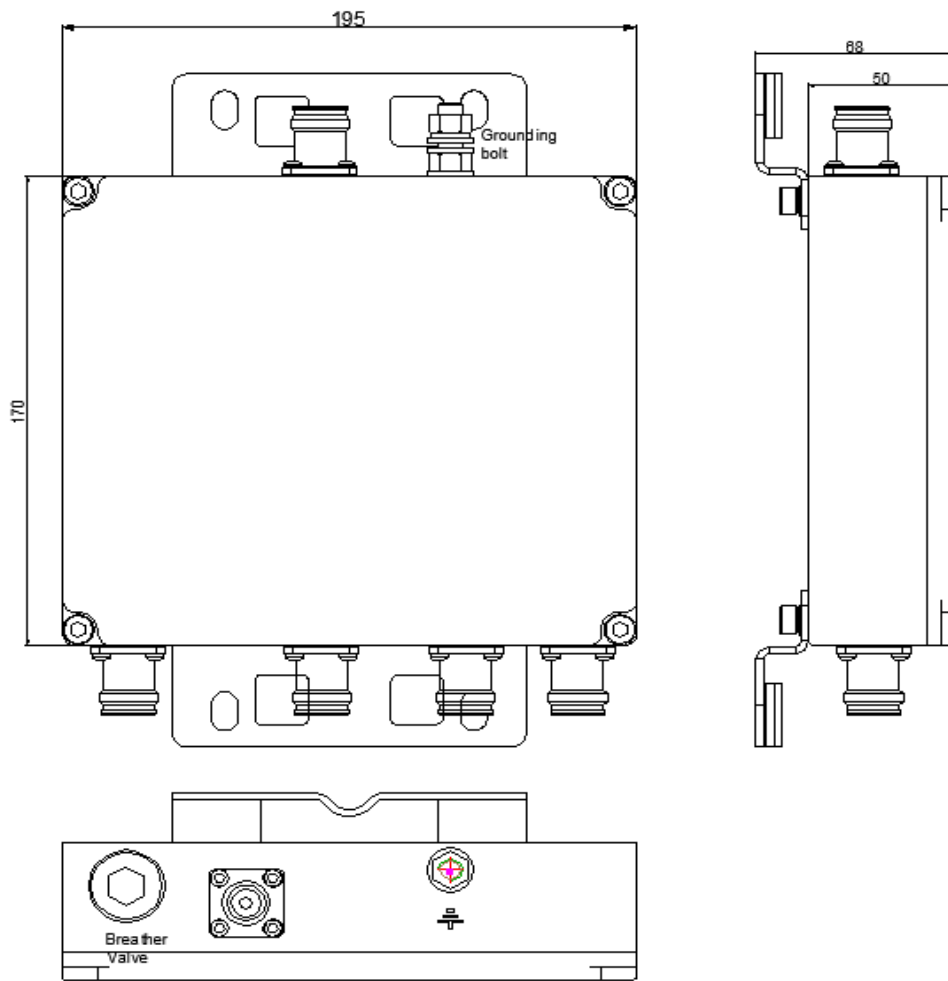
Electrical		
Frequency Range	Port 1	600-960 MHz
	Port 2	1710-2170 MHz
	Port 3	2400-2700 MHz
	Port 4	3400-3800 MHz
Insertion Loss		≤0.40 dB
Isolation		≥50 dB
VSWR		≤1.25
Intermodulation		≤-160 dBc (with 2×20W)
Impedance		50 Ω
Input Power		≤300 W(avg.)
DC/AISG		By-pass (max. 3000mA)
Lightning Protection		3KA; 10/350μs pulse

Mechanical	
Operating Temperature	-20°C to +65°C
Storage Temperature	-40°C to +85°C
Relative Humidity	5% - 95%
Classification of Waterproof	IP67
Dimensions (H x W x D)	195*170*50mm
Net Weight (with installation kit)	≤3 kg
Connector	4.3-10 Female

Technical specifications are subject to change without prior notice.



Outline Drawing



Technical specifications are subject to change without prior notice.



Pentaplexer Combiner (698-3800)

Model: 151.06383

Product Features:

- 50 dB input isolation
- Very low insertion loss
- Excellent intermodulation performance
- Built-in lightning protection
- Wall or mast mounting

Technical Specifications:

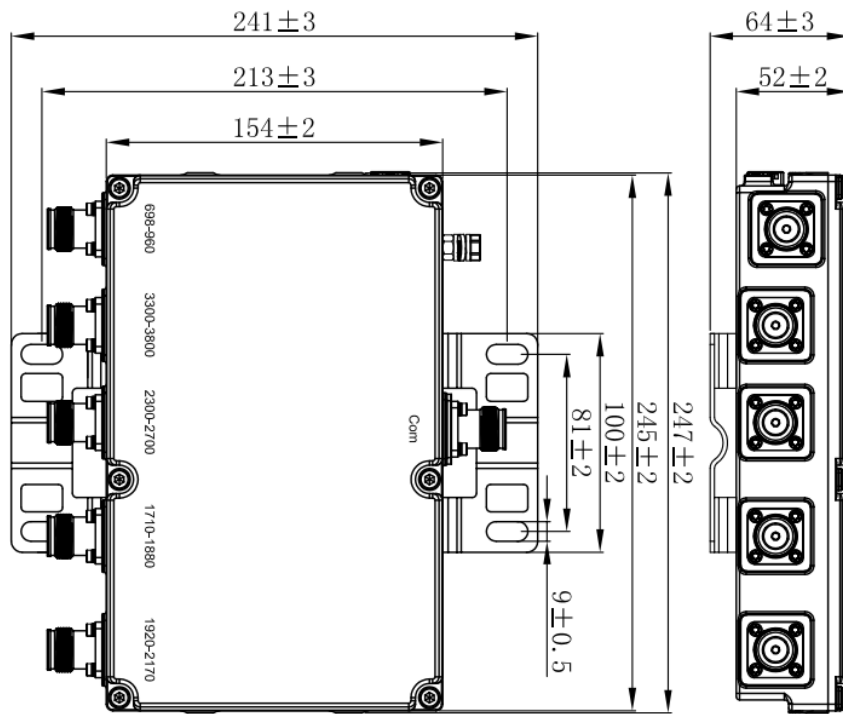
Electrical		
Frequency Range	Port 1	698-960 MHz
	Port 2	1710-1880 MHz
	Port 3	1920-2170 MHz
	Port 4	2500-2700 MHz
	Port 5	3300-3800 MHz
Insertion Loss	≤0.4 dB	
Isolation	≥50 dB	
VSWR	≤1.22	
PIM, 3rd Order	≤ -160 dBc (2 x 43 dBm carrier)	
Average Power, Maximum	200 W	
Impedance	50Ω	
DC/AISG	By-pass(max.3000mA)	
Lightning Protection	10KA; 10/350μs pulse	

Mechanical	
Operating Temperature	-20°C to +65°C
Storage Temperature	-40°C to +85°C
Relative Humidity	5% - 95%
Classification of Waterproof	IP67
Dimensions (H x W x D)	245*154*52mm
Net Weight (with installation kit)	≤2.9 kg
Connector	4.3-10 Female

Technical specifications are subject to change without prior notice.



Outline Drawing:



Technical specifications are subject to change without prior notice.



Hexa Band Combiner (698-3800)

Model: 161.06383

Product Features:

- 50 dB input isolation
- Very low insertion loss
- Excellent intermodulation performance
- Built-in lightning protection
- Wall or mast mounting

Technical Specifications:

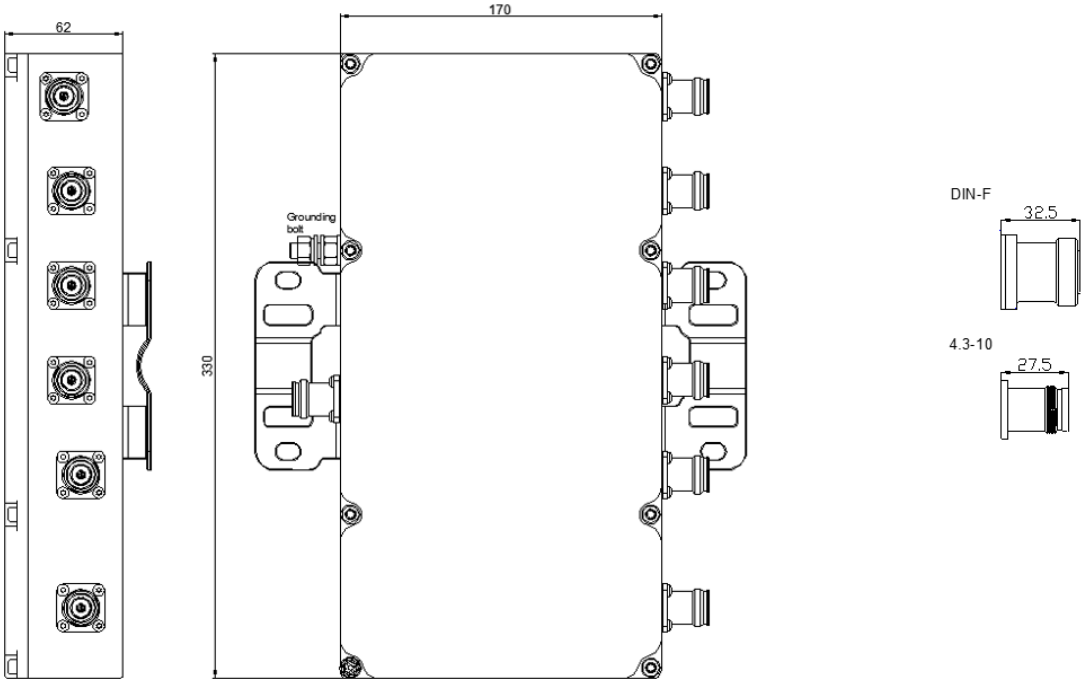
Electrical		
Frequency Range	Port1	698-806 MHz
	Port2	824-960 MHz
	Port3	1710-1880 MHz
	Port4	1920-2170 MHz
	Port5	2300-2700 MHz
	Port6	3300-3800 MHz
Insertion Loss		≤0.5 dB
Isolation		≥50 dB
VSWR		≤1.3
Intermodulation		≤-150 dBc (with 2×43dBm)
Impedance		50 Ω
Input Power		≤300 W
DC/AISG		By-pass (max. 3000mA)
Lightning Protection		10KA; 10/350μs pulse

Environmental		
Operation Temperature		-20 °C to +65 °C
Storage Temperature		-40 °C to +85 °C
Relative Humidity		5% - 95%
Application		Indoor or outdoor (IP67)

Technical specifications are subject to change without prior notice.



Outline Drawing



Technical specifications are subject to change without prior notice.



Power Splitter (698-7125)

Model: 21X.06713

Product Features

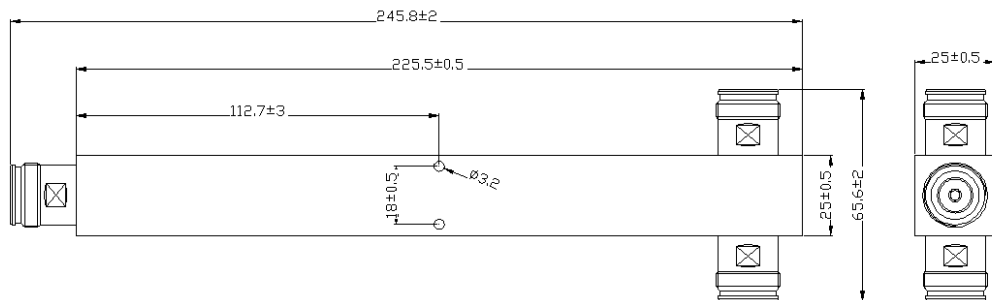
- Wide frequency band 698-7125MHz
- 2G/3G/4G/5G/6G coverage applicable
- Low insert loss
- Low PIM
- High reliability



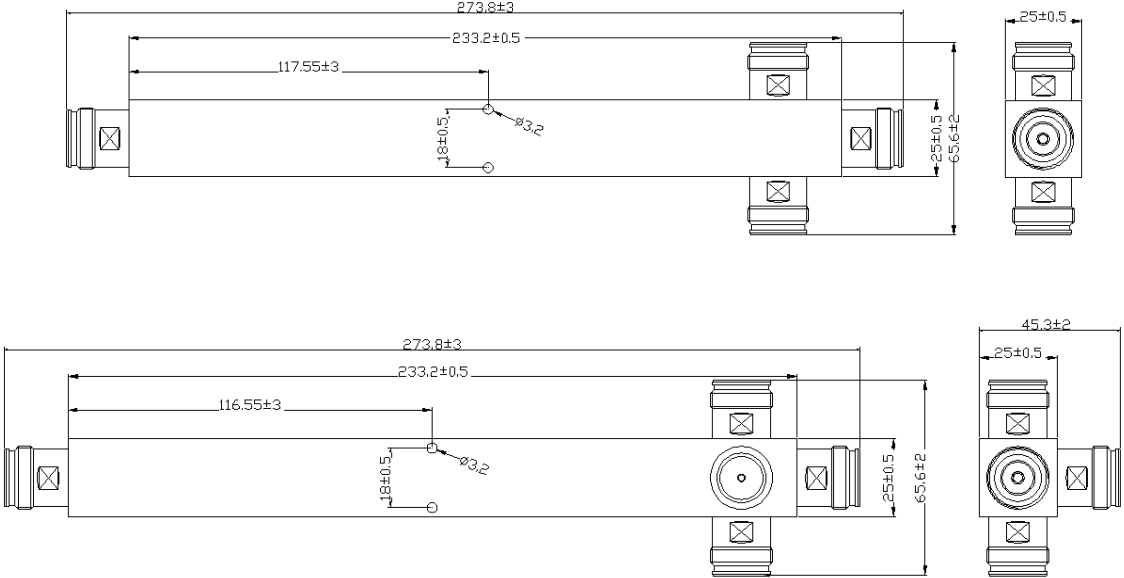
Technical Specifications

P/N:	212.06713	213.06713	214.06713
Type	2-way	3-way	4-way
Frequency Range	698-7125 MHz		
Split Loss(dB)	3.0	4.8	6.0
Insertion Loss(dB)	≤0.4	≤0.5	≤0.6
VSWR	≤1.35	≤1.35	≤1.35
PIM	≤-161dBc@2*43dBm		
Total Input Power	200 W		
Impedance	50Ω		
Connector	4.3-10 female		
Color	Black		
Temp	-30~+70°C		
Application	Indoor or Outdoor, IP65		
Weight	0.35 kg	0.45 kg	0.55 kg
Dimension	225*25*25 mm	233*25*25 mm	233*25*25 mm

Outline Drawing



Technical specifications are subject to change without prior notice.



Technical specifications are subject to change without prior notice.



Directional Coupler (698-7125)

Model: 3XX.06713

Product Features

- Wide Frequency Band 698-7125MHz
- 2G/3G/4G/5G/6G Applicable
- Low Insert Loss
- Low PIM
- High Reliability

Technical Specifications

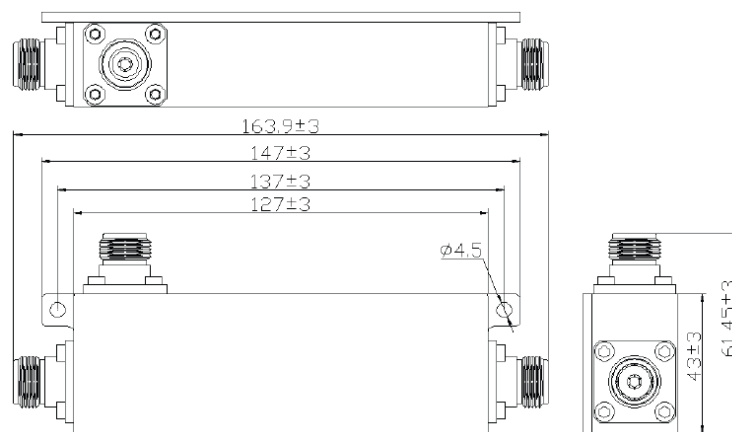
P/N:	305.06713	306.06713	308.06713	310.06713	313.06713	315.06713	320.06713
Frequency Range	698-7125 MHz						
Coupling	5 dB	6 dB	8 dB	10 dB	13 dB	15 dB	20 dB
Insert Loss	≤2.1 dB	≤1.9 dB	≤1.9 dB	≤1.9 dB	≤1.9 dB	≤1.9 dB	≤1.9 dB
Accuracy	±2.0	±2.0	±2.0	±2.0	±2.0	±2.0	±2.0
Isolation	698-2700MHz	≥24					
	2700-5000MHz	≥21					
	5000-7125MHz	≥16					
VSWR	698-2700MHz	≤1.30					
	2700-5000MHz	≤1.40					
	5000-7125MHz	≤1.50					
PIM, 3rd Order	≤ -161 dBc @2*43dBm(698-2700MHz)						
Average Power, maximum	200 W						
Impedance	50Ω						

Mechanical	
Operating Temperature	-30°C to +65°C
Relative Humidity	5% - 95%
Waterproof Class	IP65
Dimensions (H x W x D)	127*43*32mm
Net weight (with installation kit)	≤0.38 kg
Connector	4.3-10 Female

Technical specifications are subject to change without prior notice.



Outline Drawing



Technical specifications are subject to change without prior notice.

3dB Hybrid Coupler (2in 1out)

Model: 421.06271

Product Features

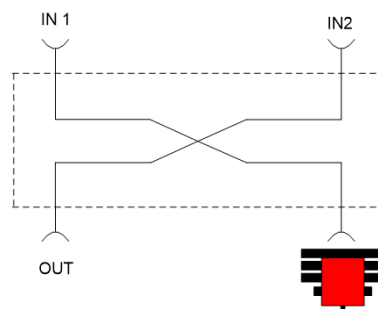
- Same band combiner
- Built-in load termination
- Excellent intermodulation performance
- High stability

Technical Specifications

Electrical	
Frequency Range	698-2700 MHz
Insertion Loss	≤ 3.5 dB
Isolation	≥ 25 dB
Return loss/VSWR	≤ -20 dB/1.22
Intermodulation	≤ -155 dBc (with 2×20 W)
Impedance	50 Ω
Input power	≤ 200 W

Environmental	
Operation Temperature	-20°C to +65 °C
Storage Temperature	-40 °C to +85 °C
Relative Humidity	5% - 95%
Dimensions (H x W x D)	216*197*82.5mm
Net Weight	≤ 4.5
Connector	N-Female
Application	Indoor or outdoor (IP67)

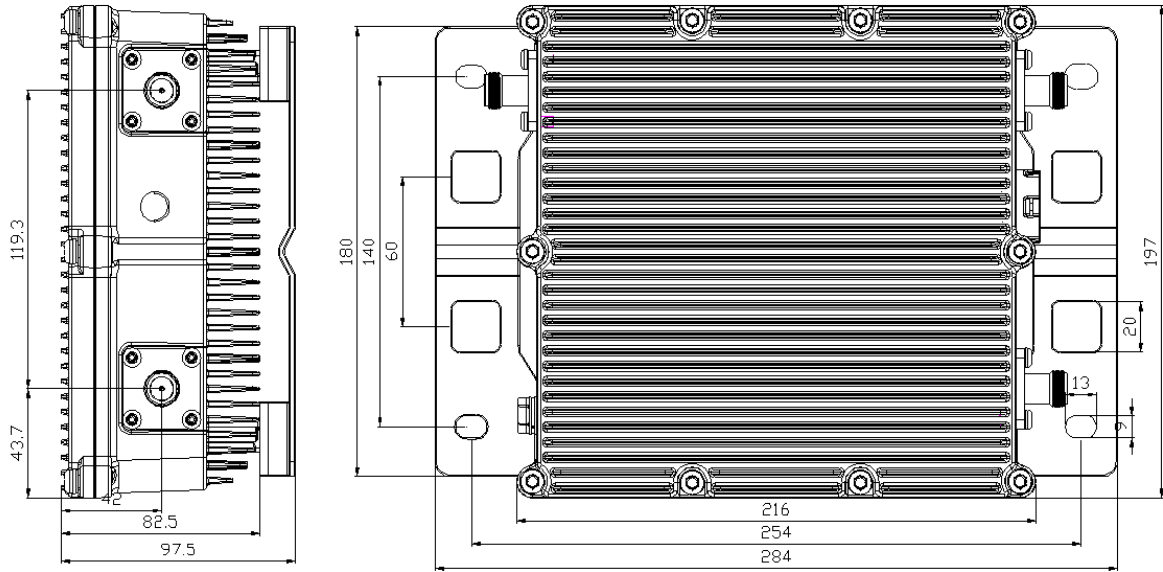
Schematic Diagram



Technical specifications are subject to change without prior notice.



Outline Drawing:



Technical specifications are subject to change without prior notice.

3dB Hybrid Coupler (600-6000)

Model: 422.06603

Product Features

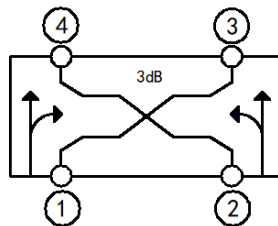
- Wide Frequency Band 600-6000MHz
- 2G/3G/4G/5G Applicable
- Low Insert Loss
- Low PIM
- High Reliability

Technical Specifications

Electrical	
Frequency	600-6000 MHz
Insert Loss	$\leq 3.1 \pm 0.6$ dB
Isolation	≥ 23 dB
VSWR	≤ 1.30
PIM, 3rd Order	≤ -160 dBc @2*43dBm
Average Power, Maximum	300 W per port
Impedance	50 Ω
DC/AISG	By-pass(max.3000mA)
Lightning Protection	10KA; 10/350 μ s pulse

Mechanical	
Operating Temperature	-20°C to +65°C
Storage Temperature	-40°C to +85°C
Relative Humidity	5% - 95%
Classification of Waterproof	IP65
Dimensions (H x W x D)	155*47*36mm
Net Weight (with installation kit)	≤ 0.8 kg
Connector	4.3-10 Female

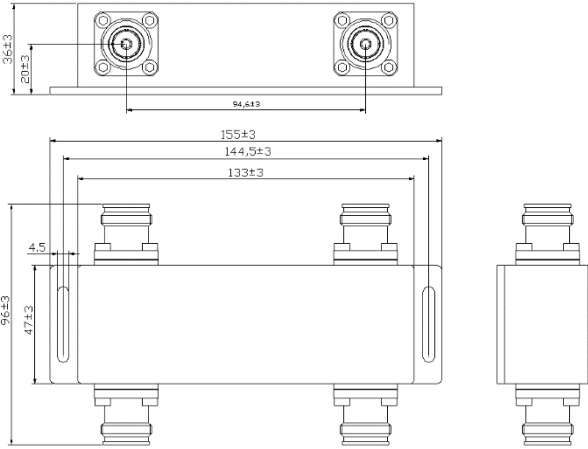
Schematic Diagram



Technical specifications are subject to change without prior notice.



Outline Drawing



Technical specifications are subject to change without prior notice.



Hybrid Coupler 4X4 (600-6000)

Model: 444.06603

Product Features

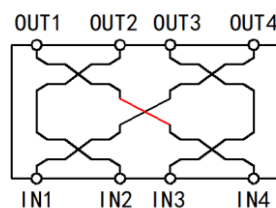
- Wide Frequency Band 600-6000MHz
- 2G/3G/4G/5G Applicable
- Low Insert Loss
- Low PIM
- High Reliability

Technical Specifications

Electrical	
Frequency	600-6000 MHz
Insert Loss	≤7.1 dB
Isolation	≥20 dB
VSWR	≤1.3
PIM, 3rd Order	≤ -160 dBc @2*43dBm
Average power, maximum	400 W per port
Impedance	50Ω
DC/AISG	DC path IN 1→OUT 4, IN 2→OUT 2 DC path IN 3→OUT 3, IN 4→OUT 1 (max. 6.5 A AISG2.0 conform)

Mechanical	
Operating Temperature	-20°C to +65°C
Storage Temperature	-40°C to +85°C
Relative Humidity	5% - 95%
Classification of Waterproof	IP65
Dimensions (H x W x D)	214x100x62mm
Net Weight (with installation kit)	≤2.25 kg
Connector	4.3-10 Female

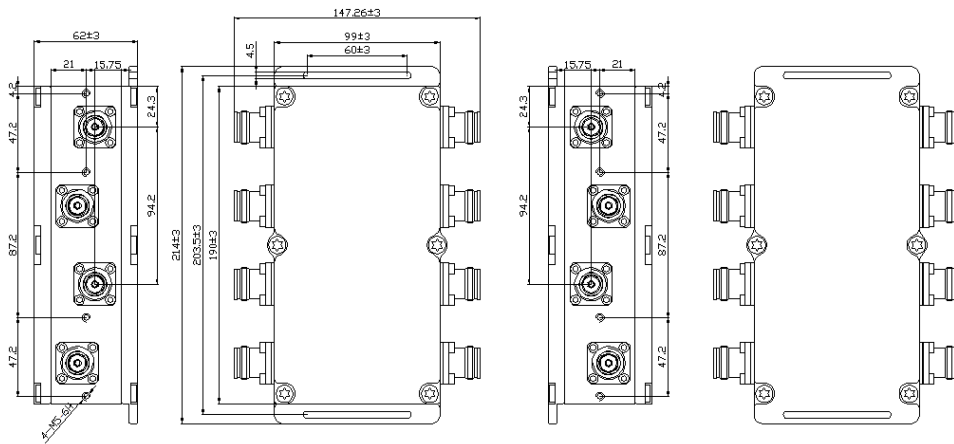
Schematic Diagram



Technical specifications are subject to change without prior notice.



Outline Drawing:



Technical specifications are subject to change without prior notice.

Termination Load 100W (DC-6000)

Model: 550.00603

Product Features

- Wide frequency range
- Low VSWR
- Low PIM
- High reliability

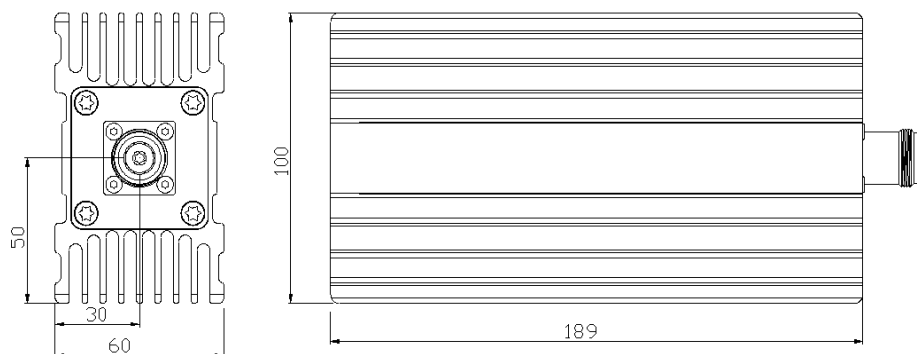


Technical Specifications

Electrical	
Frequency Range	DC-6000 MHz
VSWR	≤ 1.25
PIM, 3rd Order	≤ -160 dBc (2 x 43 dBm carrier)
Average Power, maximum	100 W
Impedance	50 Ω

Mechanical	
Operating Temperature	-55°C to +65°C
Storage Temperature	-40°C to +85°C
Relative Humidity	5% - 95%
Classification of Waterproof	IP65
Dimensions (H x W x D)	189*100*60mm
Net Weight (with installation kit)	≤ 2.0 kg
Connector	4.3-10 Female

Outline Drawing



Technical specifications are subject to change without prior notice.



Attenuator (600-6000)

Model: 650.XX06603

Product Features

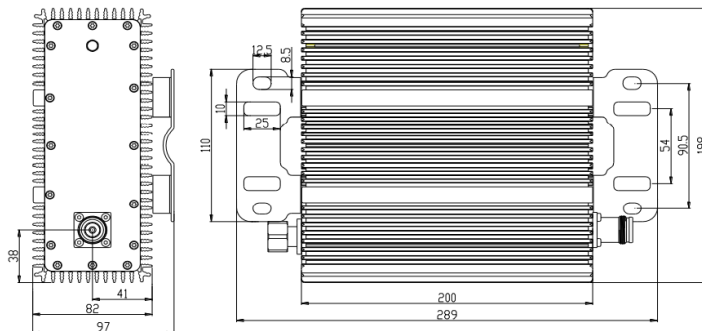
- Low VSWR
- Low PIM
- High reliability

Technical Specifications

Electrical	XX: 03	XX: 06	XX: 10	XX: 20	XX: 30	XX: 40	XX: 50	XX: 60
Attenuation	3	6	10	20	30	40	50	60
Attenuation Accuracy	±0.5	±0.5	±0.1.0	±1.0	±1.0	±1.5	±2.5	±3.0
Frequency Range	600-6000 MHz							
VSWR	≤1.3							
PIM, 3rd Order	≤ -160 dBc (2 x 43 dBm carrier)							
Average Power, maximum	100 W							
Impedance	50Ω							
Grounding	DC Ground							

Mechanical	
Operating Temperature	-25 °C to +75 °C
Storage Temperature	-40 °C to +85 °C
Relative Humidity	5% - 95%
Classification of Waterproof	IP65
Dimensions (H x W x D)	200*198*82mm
Net Weight (with installation kit)	≤3.1 kg
Connector	4.3-10 Female

Outline Drawing



Technical specifications are subject to change without prior notice.



8in 8out POI (Point of Interface)

Model: 788.03503

Product Features

- Low PIM
- Low VSWR and loss
- High reliability
- Applicable in UHF/2G/3G/4G/5G system

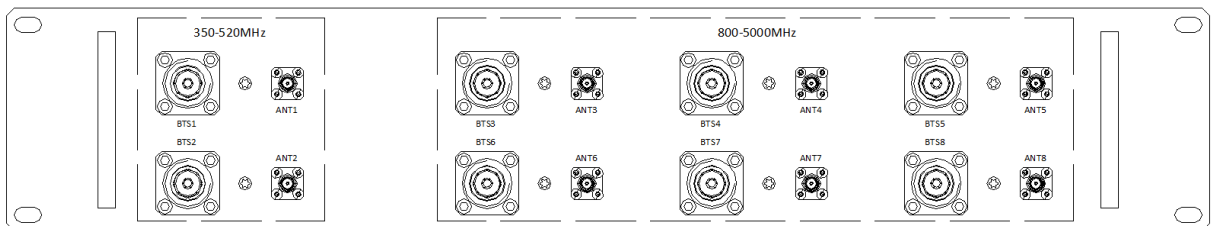
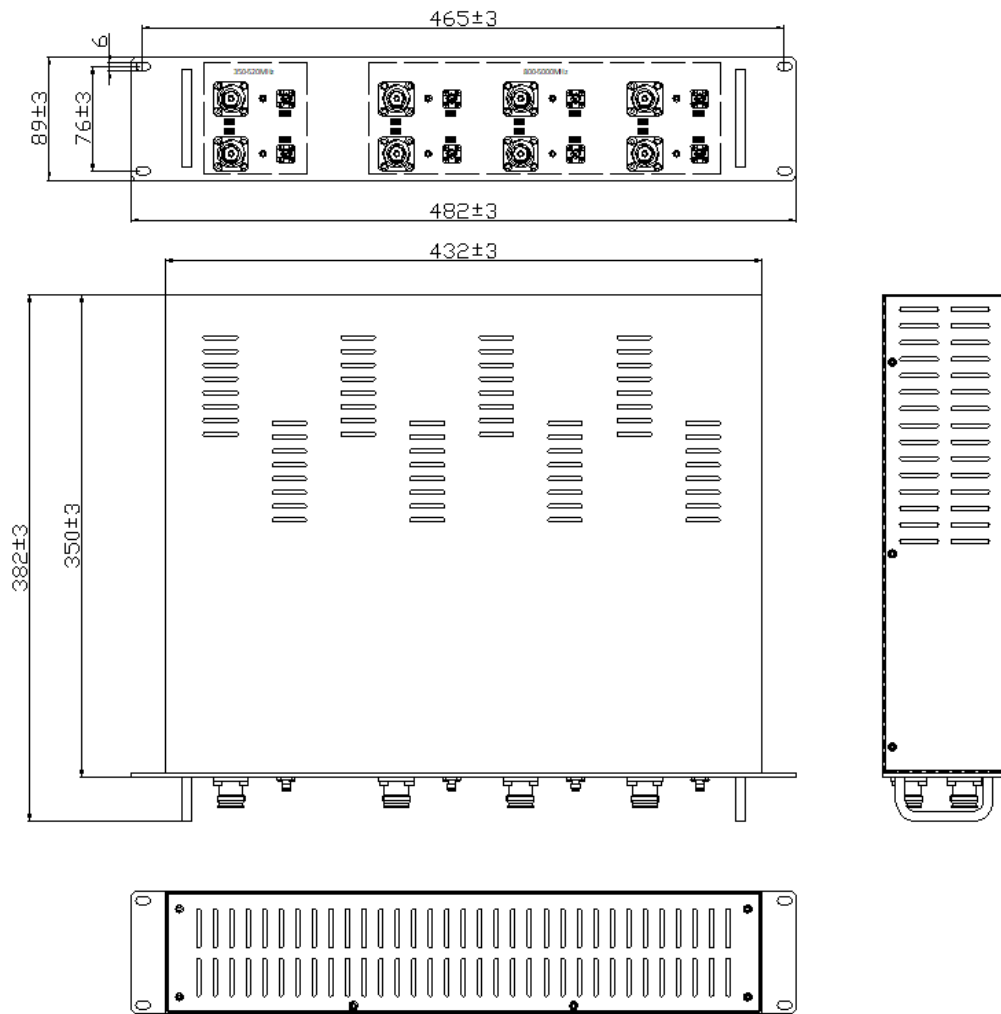
Technical Specifications

P/N: 788.03503		Point of Interface
Frequency Range	2 Ports for UHF	350-520 MHz
	6 Ports for Cellular	800-5000 MHz
Type	8 in, 8 out	
Insertion Loss	40±3 dB	
VSWR	≤ 1.3	
PIM (3rd order)	≤ -153dBc (with 2 x 43dBm)	
Maximum Input	100W	
Operating Temperature	-0°C to +45°C	
Relative Humidity	0 ~ 95 %	
Impedance	50 Ω	
Size	465*382*89 mm	
Connector Type	BTS Ports	8 * 4.3-10-female
	ANT Ports	8 * SMA-female

Technical specifications are subject to change without prior notice.



Outline Drawing



Technical specifications are subject to change without prior notice.



16in 4out POI (Point of Interface)

Model: 7164.07262

Product Features

- Low PIM
- High isolation
- Low VSWR and loss
- High reliability
- Pole or wall-mounted



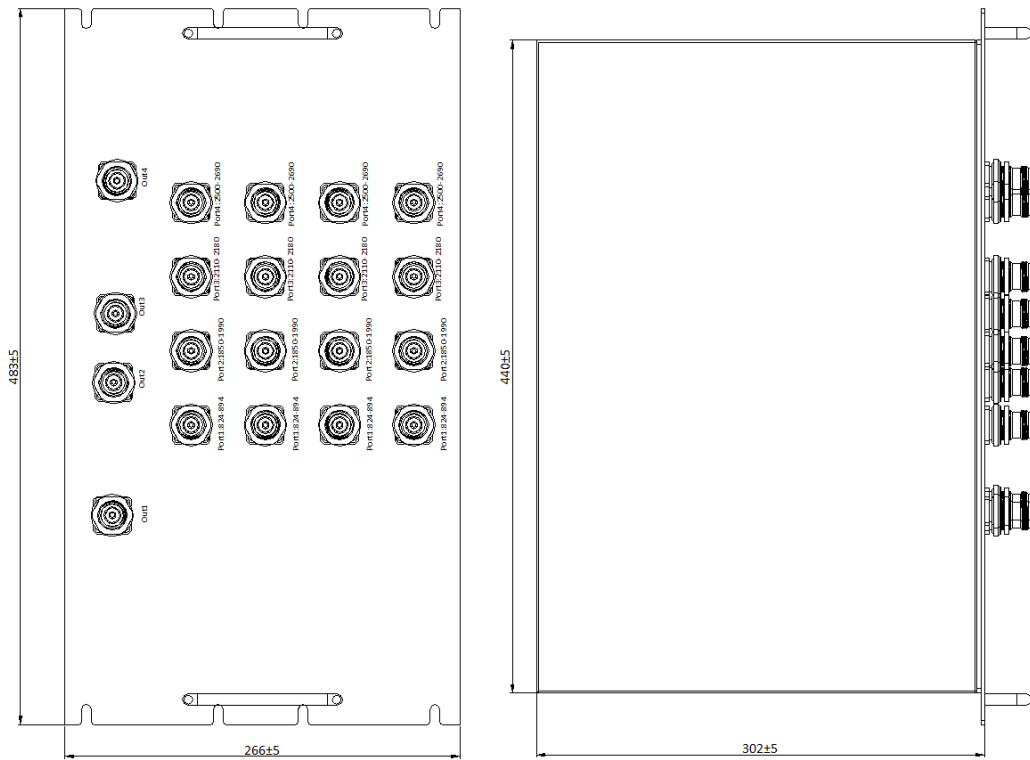
Technical Specifications

P/N: 7164.07262		
Frequency Range	LTE800/GSM900	700-960 MHz
	LTE1800/DCS1800	1710-1880 MHz
	3G/UMTS	1920-2170 MHz
	LTE2300/LTE2600	2300-2690 MHz
Isolation between same system	≥ 30 dB	
Isolation between different system	≥ 80 dB	
Power Handling	150 W (Input Port)	
Insertion Loss	≤ 8 dB	
Return Loss	≥ 18 dB	
PIM3	≤ -155 dBc@2*43dBm	
Impedance	50Ω	
Input Port	16 Ports,DIN-female (4*LTE8-GSM,4*DCS,4*UMTS,4*LTE)	
Out Port (to DAS, Antenna)	4 Ports, DIN-Female	
Mounting	Wall Mounting Brackets	
Working Temperature	0~+55°C	
Relative Humidity	5-95%	
Application	Indoor	
Size	452*502*165 mm	
Weight	30 kg	

Technical specifications are subject to change without prior notice.



Outline Drawing



Technical specifications are subject to change without prior notice.

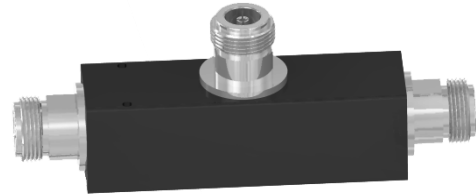


Power Tapper (350-6000)

Model: 8XX.03603

Product Features

- Wide Frequency Band 350-6000MHz
- TETRA/2G/3G/4G/5G Applicable
- Low Insert Loss
- Low PIM
- High Reliability
- High Isolation, Indoor & Outdoor, IP65
- Widely used for IBS/DAS



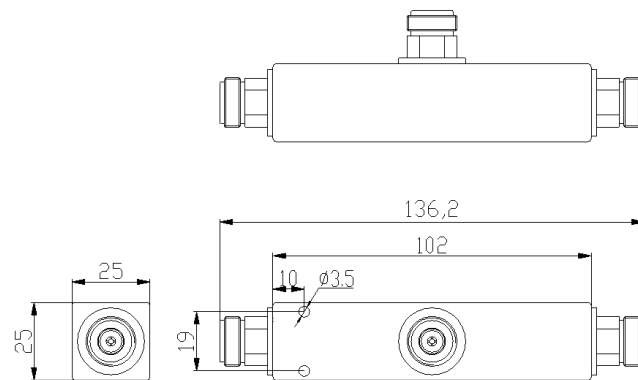
Technical Specifications:

P/N:	805.03603	807.03603	815.03603	820.03603	830.03603	803.03603
Frequency Range	350-6000 MHz					
Ratio, nom.	3:1/4.8dB 4:1/6.0dB	4:1/7.0dB 10:1/10dB	30:1/15dB	100:1/20dB	1000:1/30dB	2:1/3.0dB
Coupling	5 dB	7 dB	15 dB	20 dB	30 dB	3 dB
Branch Flatness ref.to Input Level, incl Loss, dB	±1.3@340- 698 ±0.8@698- 960 ±0.8@1700- 2700	±1.0@340- 698 ±0.8@698- 960 ±0.8@1700- 2700	±1.25@340- 698 ±1.25@698- 960 ±1.25@1700- 2700	±1.5@340- 698 ±1.5@698- 960M ±1.5@1700- 2700M	±2.0@340-698 ±2.0@698-960 ±2.0@1700- 2700z	±1.3@340- 698 ±0.8@698- 960 ±0.8@1700- 2700z
Output Split(dB)	-1.8/-6.1 -1.6/-7.0	-1.35/-7.8 -0.9/-10.5	-0.5/-15.3	-0.4/-20.1	-0.4/-30.1	-2.3/-4.8
VSWR	≤1.35	≤1.35	≤1.35	≤1.35	≤1.35	≤1.40
PIM	≤-160					
Power	300 W					
Impedance	50Ω					
RF Connector	4.3-10 Female					
Color	Black or Light Grey					
Temperature	-20~+70°C					
Application	Indoor/Outdoor, IP65					
Weight	0.40 kg					
Dimensions	136*25*25 mm					

Technical specifications are subject to change without prior notice.



Outline Drawing



Technical specifications are subject to change without prior notice.



Shenzhen Prevail Technology Co., Ltd.

1107, Zhongfutai Building, Guangke Road #1, Pingshan District, Shenzhen 518122, China

Tel: +86-755-26466353

Email: info@prevailtec.com

www.prevailtec.com

