



Passive DAS Product Catalog



Power Splitter 2-way (617-3800)

Model: 212.06383

Product Features:

- Wide frequency band 617-3800MHz
- 2G/3G/4G/5G coverage applicable
- Low insert loss
- Low PIM
- High reliability

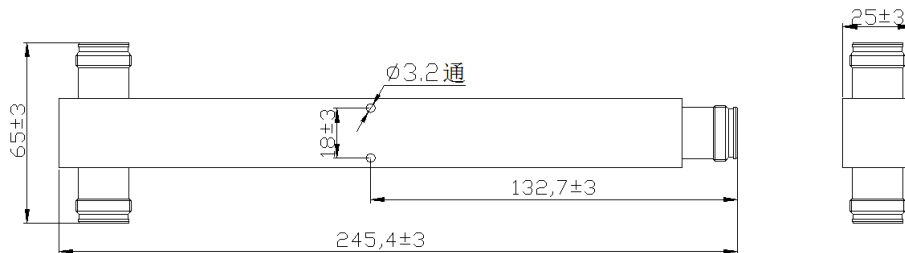


Technical Specifications:

Electrical	
Frequency	617-3800MHz
VSWR	≤1.3
Insert Loss	≤0.3 dB
Ripple in Band	≤0.3 dB
PIM, 3rd Order	≤ -160 dBc (2 x 43 dBm carrier)
Average Power (maximum)	300 W
Impedance	50Ω

Mechanical	
Operating Temperature	-25°C to +75°C
Storage Temperature	-40°C to +85°C
Relative Humidity	5% - 95%
Classification of Waterproof	IP65
Dimensions (H x W x D)	245x65x25mm
Net Weight (with installation kit)	≤0.55 kg
Connector	4.3-10 Female

Outline Drawing:



Technical specification is subject to change without prior notice.

Power Splitter 3-Way (617-3800)

Model: 213.06383

Product Features:

- Wide frequency band 617-3800MHz
- 2G/3G/4G/5G coverage applicable
- Low insert loss
- Low PIM
- High reliability

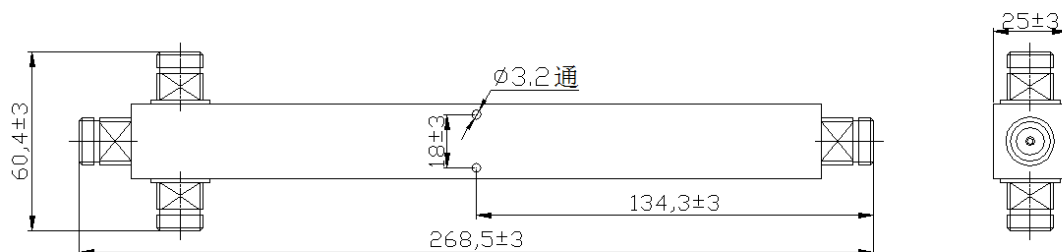


Technical Specifications:

Electrical	
Frequency	617-3800 MHz
VSWR	≤ 1.25
Insert Loss	≤ 0.4 dB
Ripple in Band	≤ 0.3 dB
PIM, 3rd Order	≤ -160 dBc (2 x 43 dBm carrier)
Average Power, maximum	300 W
Impedance	50 Ω

Mechanical	
Operating Temperature	-30°C to +75°C
Storage Temperature	-45°C to +85°C
Relative Humidity	5% - 95%
Classification of Waterproof	IP65
Dimensions (H x W x D)	268x60x25mm
Net weight (with installation kit)	≤ 0.48 kg
Connector	4.3-10 Female

Outline Drawing:



Technical specification is subject to change without prior notice.



Power Splitter 4-Way (617-3800)

Model: 214.06383

Product Features:

- Wide frequency band 617-3800MHz
- 2G/3G/4G/5G coverage applicable
- Low insert loss
- Low PIM
- High reliability

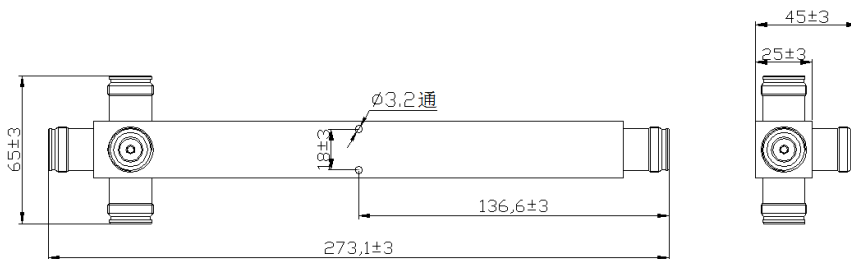


Technical Specifications:

Electrical	
Frequency Range	617-3800 MHz
VSWR	≤1.3
Insert Loss	≤0.5 dB
PIM, 3rd Order	≤ -160 dBc (2 x 43 dBm carrier)
Average Power, maximum	300 W
Impedance	50Ω

Mechanical	
Operating Temperature	-30°C to +75°C
Relative Humidity	5% - 95%
Classification of Waterproof	IP65
Dimensions (H x W x D)	273.1x65x45mm
Net Weight (with installation kit)	≤0.55 kg
Connector	4.3-10 Female

Outline Drawing:



Technical specification is subject to change without prior notice.



Directional Coupler (617-3800)

Model: 3XX.06383

Product Features:

- Wide Frequency Band 698-3800MHz
- 2G/3G/4G/5G Applicable
- Low Insert Loss
- Low PIM
- High Reliability

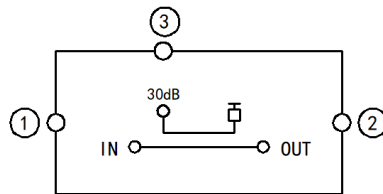


Technical Specifications:

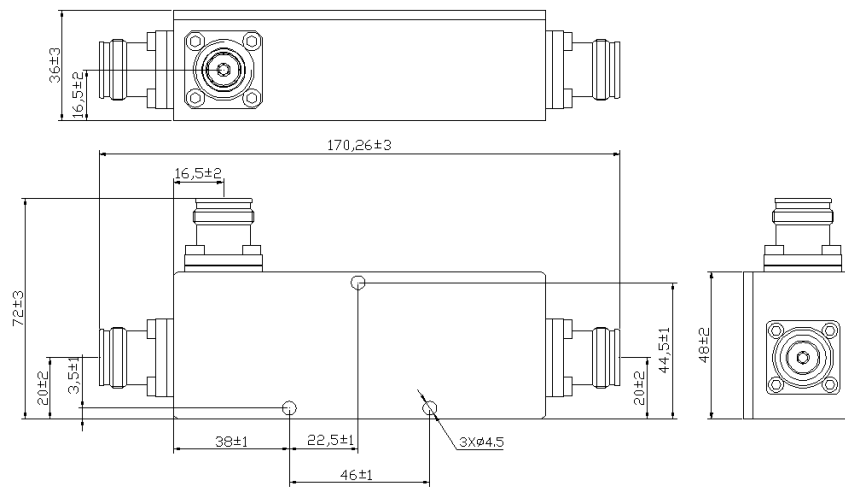
Electrical	305.06381	306.06381	308.06381	310.06381	313.06381	315.06381	320.06381
Frequency Range	617-3800 MHz						
Coupling	5 dB	6 dB	8 dB	10 dB	13 dB	15 dB	20 dB
Insert Loss	≤2.1 dB	≤1.7 dB	≤1.3 dB	≤1.0 dB	≤0.7 dB	≤0.5 dB	≤0.4 dB
Isolation	25 dB	26 dB	28 dB	30 dB	33 dB	33 dB	38 dB
VSWR	≤1.25						
PIM, 3rd Order	≤ -160 dBc (2 x 43 dBm carrier)						
Average Power, maximum	300 W						
Impedance	50Ω						

Mechanical	
Operating Temperature	-30°C to +65°C
Relative Humidity	5% - 95%
Waterproof Class	IP65
Dimensions (H x W x D)	170.26x36x72mm
Net weight (with installation kit)	≤0.68 kg
Connector	4.3-10 Female

Schematic Diagram



Outline Drawing:



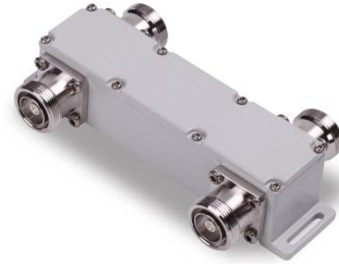
Technical specification is subject to change without prior notice.

3dB Hybrid Coupler

Model: 422.06272

Product Features:

- Low insertion loss
- Excellent intermodulation performance
- High stability
- High isolation

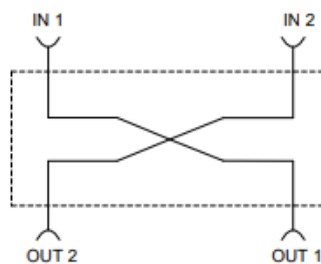


Technical Specifications:

Electrical	
Frequency	698-2700 MHz
Attenuation in-out	≤ 3.5 dB
Isolation	≥ 28 dB
Return Loss/VSWR	≤ -20 dB/1.22
PIM, 3rd Order	≤ -160 dBc (2 x 43 dBm carrier)
Average Power, Maximum	300 W
Impedance	50 Ω
DC/AISG	By-pass(max.3000mA)
Lightning Protection	10KA; 10/350 μ s pulse

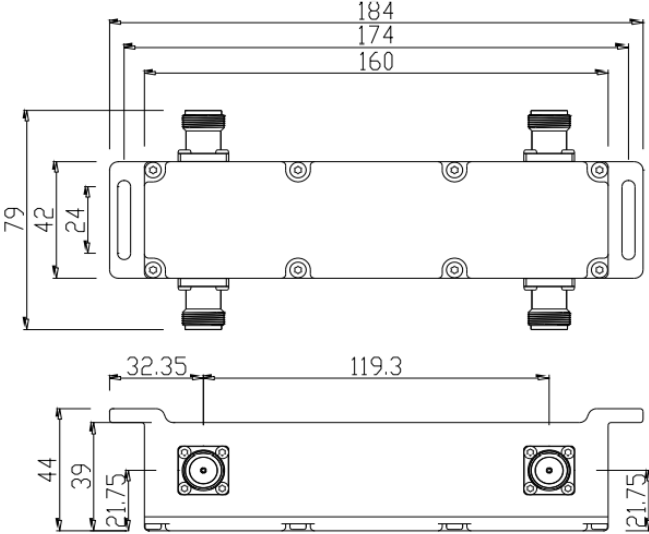
Mechanical	
Operating Temperature	-20°C to +65°C
Storage Temperature	-40°C to +85°C
Relative Humidity	5% - 95%
Classification of Waterproof	IP67
Dimensions (H x W x D)	184x42x44mm
Net Weight (with installation kit)	≤ 0.8 kg
Connector	Din-Female

Schematic Diagram





Outline Drawing:



Technical specification is subject to change without prior notice.

3dB Hybrid Coupler

Model: 422.06383

Product Features:

- Low insertion loss
- Excellent intermodulation performance
- High stability
- High isolation

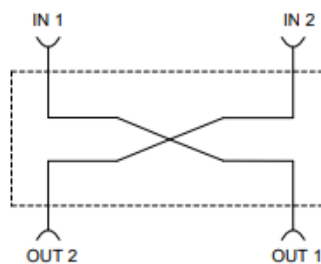


Technical Specifications:

Electrical	
Frequency	694-3800 MHz
Insert Loss	$\leq 3.1 \pm 0.6$ dB
Isolation	≥ 23 dB
VSWR	≤ 1.25
PIM, 3rd Order	≤ -153 dBc (2 x 43 dBm carrier)
Average Power, Maximum	300 W per port
Impedance	50 Ω
DC/AISG	By-pass(max.3000mA)
Lightning Protection	10KA; 10/350 μ s pulse

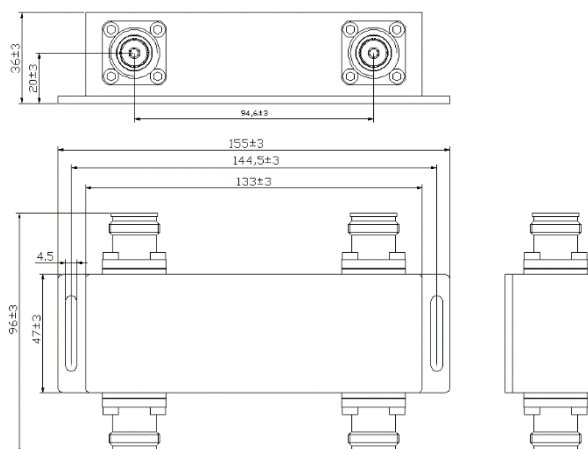
Mechanical	
Operating Temperature	-20°C to +65°C
Storage Temperature	-40°C to +85°C
Relative Humidity	5% - 95%
Classification of Waterproof	IP65
Dimensions (H x W x D)	155*47*36mm
Net Weight (with installation kit)	≤ 0.8 kg
Connector	4.3-10 Female

Schematic Diagram





Outline Drawing:



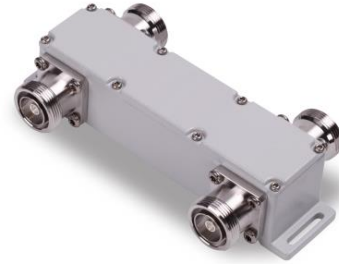
Technical specification is subject to change without prior notice.

3dB Hybrid Coupler

Model: 422.06603

Product Features:

- Low insertion loss
- Excellent intermodulation performance
- High stability
- High isolation



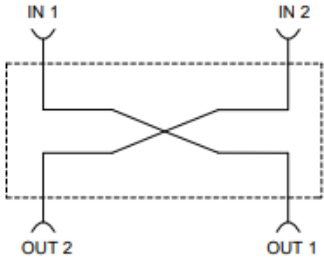
Technical Specifications:

Electrical	
Frequency Range	698-6000 MHz
Insertion Loss	≤3.1 dB
Ripple in Band	≤1.6 dB
Isolation	≥20 dB
Return Loss/VSWR	≤-20dB/1.22
PIM, 3rd Order	≤ -160 dBc (2 x 43 dBm carrier)
Average Power, Maximum	200 W
Impedance	50Ω
DC/AISG	By-pass(max.3000mA)
Lightning Protection	10KA; 10/350μs pulse

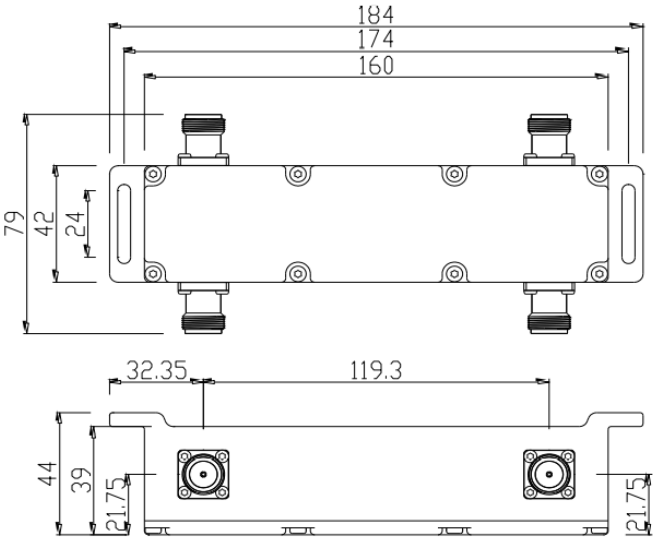
Mechanical	
Operating Temperature	-20°C to +65°C
Storage Temperature	-40°C to +85°C
Relative Humidity	5% - 95%
Classification of Waterproof	IP67
Dimensions (H x W x D)	184x42x44mm
Net Weight (with installation kit)	≤0.8 kg
Connector	4.3-10 Female



Schematic Diagram



Outline Drawing:



Hybrid Coupler 3X3 (698-2700)

Model: 433.06273

Product Features:

- Low insertion loss
- Ultra-low intermodulation
- High stability
- High isolation



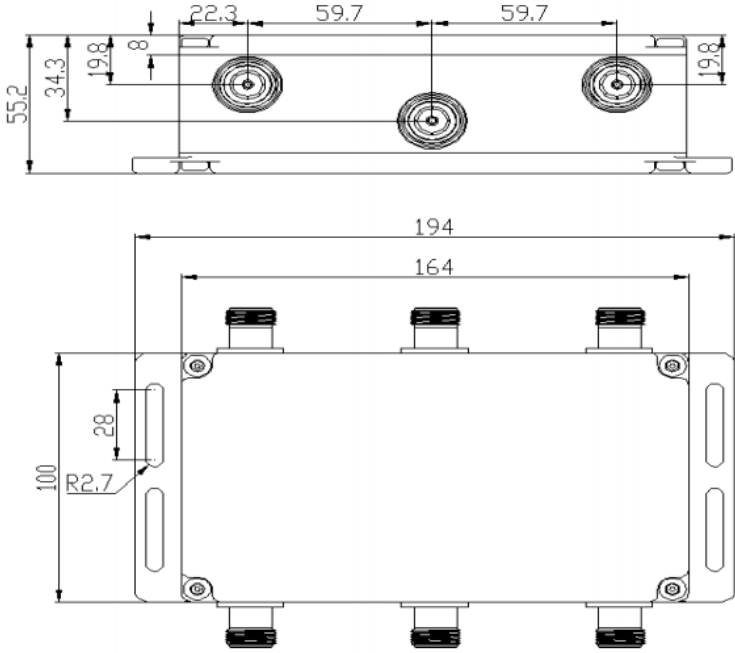
Technical Specifications:

Electrical	
Frequency Range	698-2700 MHz
Coupling & Variation (Contain insertion loss)	5.0 ± 1.2 dB
Isolation	≥ 25 dB
Return Loss/VSWR	≤ -20 dB/1.25
PIM, 3rd Order	≤ -155 dBc (2 x 43 dBm carrier)
Average Power, Maximum	500 W
Impedance	50 Ω
DC/AISG	DC path IN 1 \rightarrow OUT 3, IN 2 \rightarrow OUT 2 DC path IN 3 \rightarrow OUT 1 (max. 6.5 A AISG2.0 conform)

Mechanical	
Operating Temperature	-20°C to +60°C
Storage Temperature	-40°C to +85°C
Relative Humidity	5% - 95%
Classification of Waterproof	IP67
Dimensions (H x W x D)	194x100x55.2mm
Net Weight (with installation kit)	≤ 1.8 kg
Connector	4.3-10 Female



Outline Drawing:



Hybrid Coupler 3X3 (698-6000)

Model: 433.06603

Product Features:

- Low insertion loss
- Ultra-low intermodulation
- High stability
- High isolation



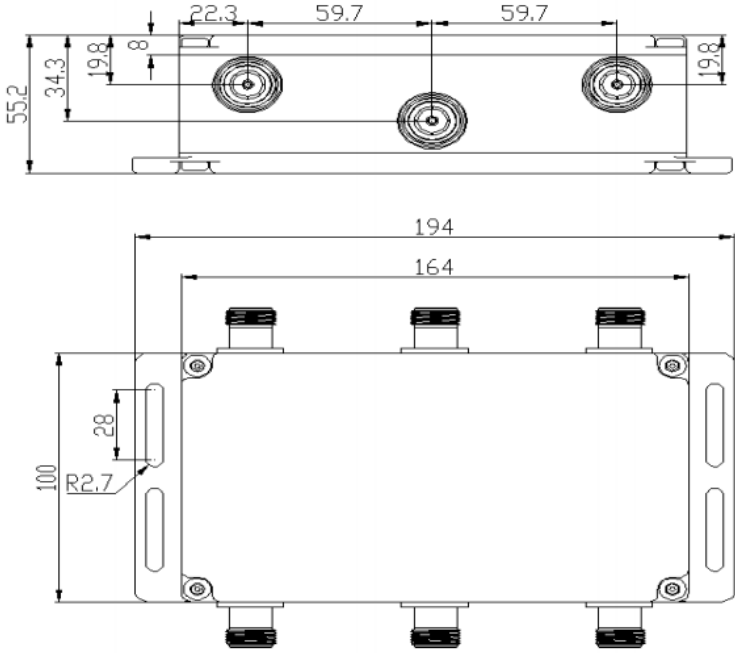
Technical Specifications:

Electrical	
Frequency Range	698-6000 MHz
Coupling & Variation (Contain insertion loss)	5.0 ± 2 dB
Isolation	≥ 18 dB
Return Loss/VSWR	≤ -20 dB/1.5
PIM, 3rd Order	≤ -160 dBc (2 x 43 dBm carrier)
Average Power, Maximum	500 W
Impedance	50 Ω
DC/AISG	DC path IN 1→OUT 3, IN 2→OUT 2 DC path IN 3→OUT 1 (max. 6.5 A AISG2.0 conform)

Mechanical	
Operating Temperature	-20°C to +60°C
Storage Temperature	-40°C to +85°C
Relative Humidity	5% - 95%
Classification of Waterproof	IP67
Dimensions (H x W x D)	194x100x55.2mm
Net Weight (with installation kit)	≤ 1.8 kg
Connector	4.3-10 Female



Outline Drawing:



Hybrid Coupler 4X4

Model: 444.06383

Product Features:

- 698-3800MHz
- 2G/3G/4G/5G coverage applicable
- Low insertion loss
- Ultra-low intermodulation
- High stability
- High isolation



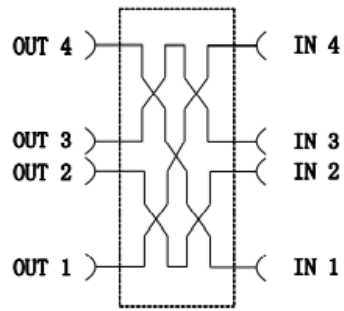
Technical Specifications:

Electrical	
Frequency	698-3800 MHz
Insert Loss	6.1 ± 1.4 dB
Isolation	≥ 25 dB
Return Loss/VSWR	≤ -20 dB/1.3
PIM, 3rd Order	≤ -150 dBc (2 x 43 dBm carrier)
Average power, maximum	300 W
Impedance	50 Ω
DC/AISG	DC path IN 1→OUT 4, IN 2→OUT 2 DC path IN 3→OUT 3, IN 4→OUT 1 (max. 6.5 A AISG2.0 conform)

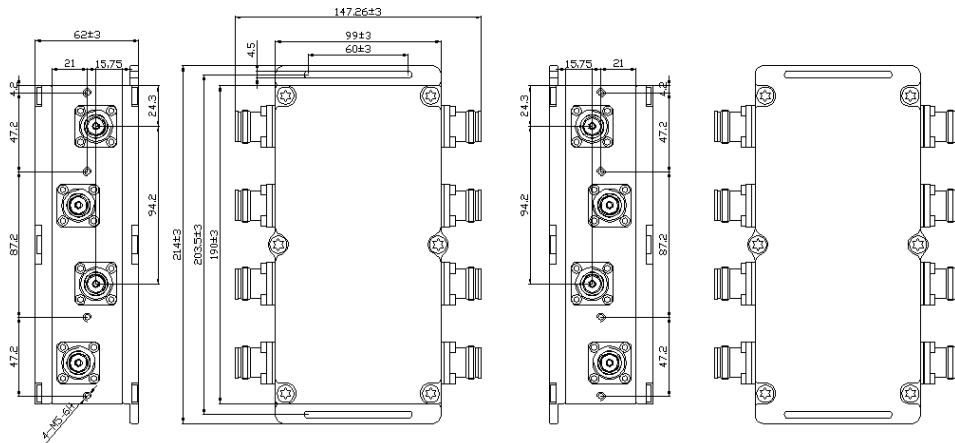
Mechanical	
Operating Temperature	-20°C to +65°C
Storage Temperature	-40°C to +85°C
Relative Humidity	5% - 95%
Classification of Waterproof	IP67
Dimensions (H x W x D)	214x100x62mm
Net Weight (with installation kit)	≤ 2.2 kg
Connector	4.3-10 Female



Schematic Diagram



Outline Drawing:



Technical specification is subject to change without prior notice.

Hybrid Coupler 4X4

Model: 444.06603

Product Features:

- 698-6000MHz
- 2G/3G/4G/5G coverage applicable
- Low insertion loss
- Ultra-low intermodulation
- High stability
- High isolation



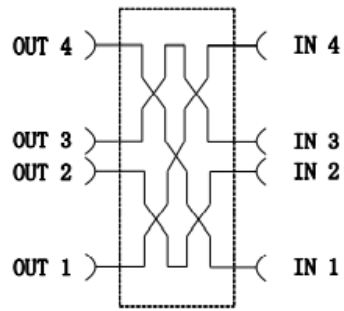
Technical Specifications:

Electrical	
Frequency	698-6000 MHz
Attenuation in-out	≤6.9 dB
Isolation	≥18 dB
Return Loss/VSWR	≤-20dB/1.5
PIM, 3rd Order	≤ -160 dBc (2 x 43 dBm carrier)
Average Power, maximum	200 W
Impedance	50Ω
DC/AISG	DC path IN 1→OUT 4, IN 2→OUT 2 DC path IN 3→OUT 3, IN 4→OUT 1 (max. 6.5 A AISG2.0 conform)
Lightning protection	N/A

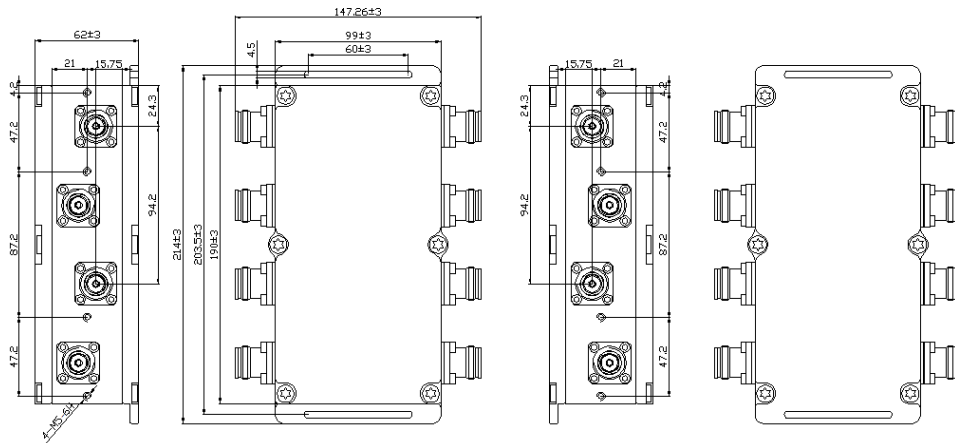
Mechanical	
Operating Temperature	-20°C to +65°C
Storage Temperature	-40°C to +85°C
Relative Humidity	5% - 95%
Classification of Waterproof	IP67
Dimensions (H x W x D)	250x94x45 mm
Net Weight (with installation kit)	≤2.0 kg
Connector	4.3-10 Female



Schematic Diagram



Outline Drawing:



3dB Hybrid Coupler with Built-in Load (698-3800)

Model: 421.06383L

Product Features:

- Low insertion loss
- Excellent intermodulation performance
- High stability
- High isolation



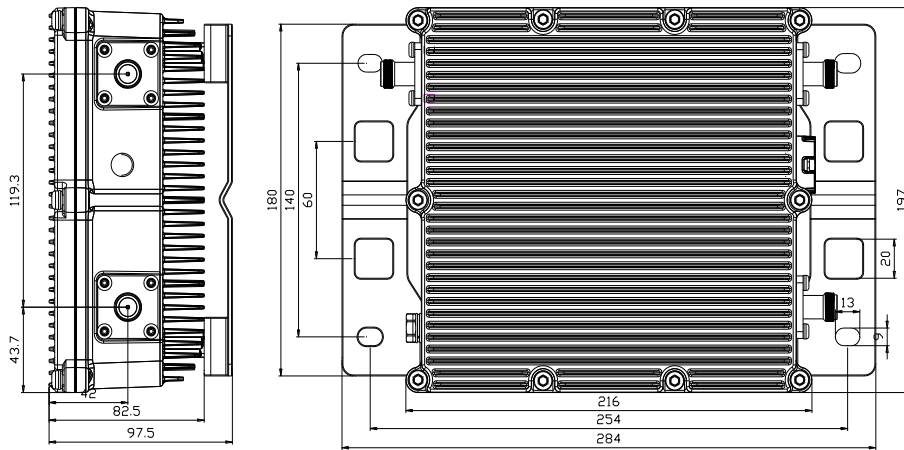
Technical Specifications:

Electrical	
Frequency Range	698-3800 MHz
Insert Loss	≤3.5 dB
Isolation	25 dB
VSWR	≤1.22
PIM, 3rd Order	≤ -155 dBc (2 x 43 dBm carrier)
Average Power, Maximum	200 W
Impedance	50Ω
DC/AISG	P1-P3 Bypass; P2-Short cut

Mechanical	
Operating Temperature	-20°C to +60°C
Storage Temperature	-35°C to +75°C
Relative Humidity	5% - 95%
Classification of Waterproof	IP66
Dimensions (H x W x D)	216*197*82.5mm
Net weight (with installation kit)	≤4 kg
Connector	4.3-10 Female



Outline Drawing:



Technical specification is subject to change without prior notice.



16in 4out POI (Point of Interface)

Model: 7164.08263

Product Features:

- Low PIM
- High isolation
- Low VSWR and loss
- High reliability
- Pole or wall-mounted



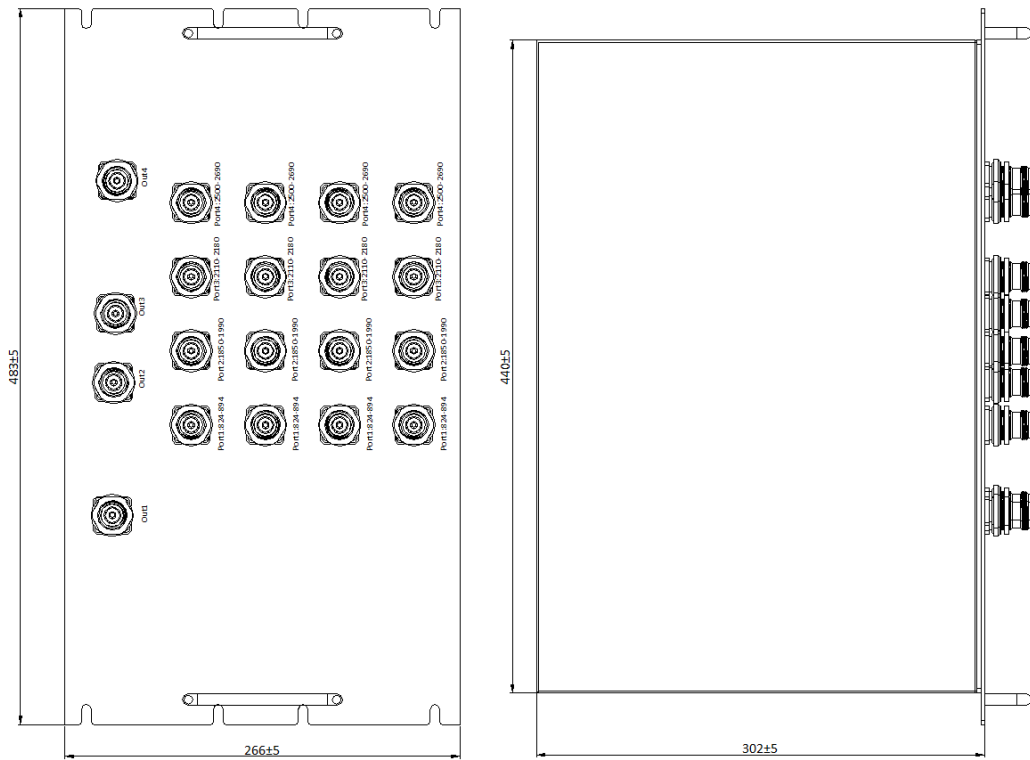
Technical Specifications:

Electrical		
Frequency Range	4 Ports GSM/LTE 850	824-894MHz
	4 Ports PCS/LTE 1900	1850-1990MHz
	4 Ports AWS/LTE 2100	1710-1755&2110-2155MHz
	4 Ports TDD/LTE 2600	2500-2690MHz
Type	16 in, 4 out	
Insert Loss	≤8.5 dB	
Isolation	Between Different Band	≥80dB
	Between Same Band	≥22dB
VSWR	≤1.4	
PIM (3 RD order)	≤ -153dBc (with 2 x 43dBm)	
Maximum Input (W)	200W	
Impedance	50Ω	
Lightning Protection	10KA; 10/350μs pulse	

Mechanical	
Operating Temperature	0°C to +55°C
Storage Temperature	-40°C to +85°C
Relative Humidity	0% - 95%
Waterproof Class	Indoor
Dimensions (H x W x D)	19" inch standard chassis 8U
Net Weight	≤35 kg
Connector	4.3-10-Female



Outline Drawing:





16in 4out POI (Point of Interface)

Model: 7164.08383

Product Features:

- Low PIM
- High isolation
- Low VSWR and loss
- High reliability
- Pole or wall-mounted



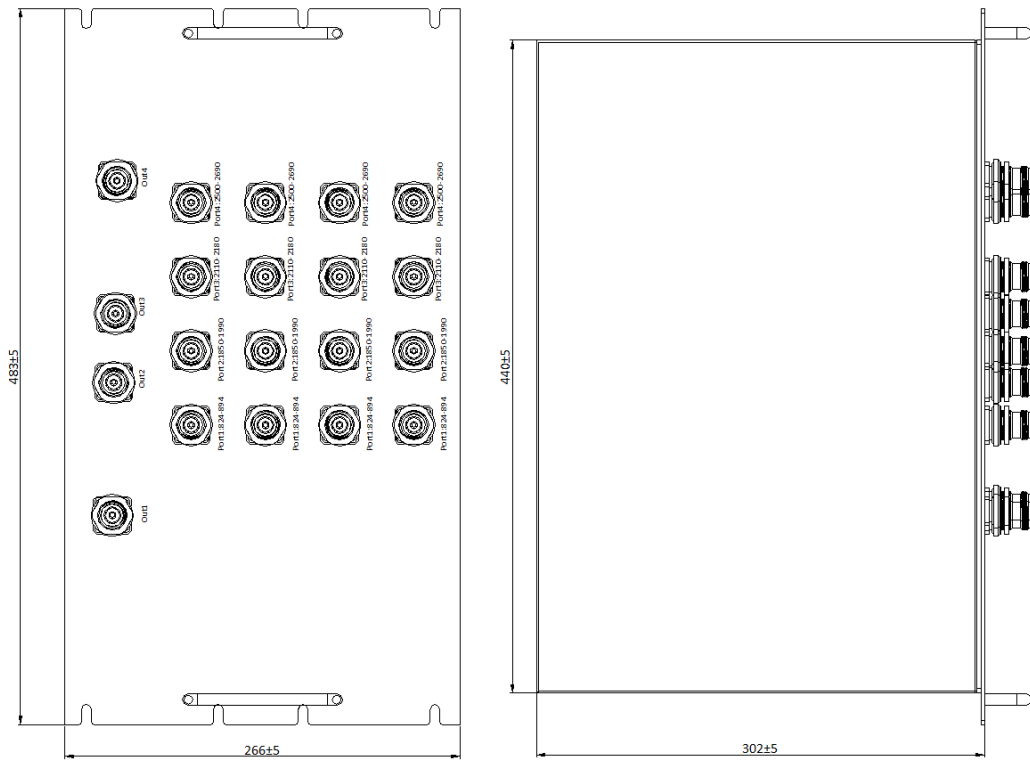
Technical Specifications:

Electrical		
Frequency Range	4 Ports GSM/LTE 850	824-894MHz
	4 Ports PCS/LTE 1900	1850-1990MHz
	4 Ports AWS/LTE 2100	1710-1755&2110-2155MHz
	4 Ports LTE&NR 2600&3800	2500-3800MHz
Type	16 in, 4 out	
Insert Loss	≤8.5 dB	
Isolation	Between Different Band	≥80dB
	Between Same Band	≥22dB
VSWR	≤1.4	
PIM (3 RD order)	≤ -153dBc (with 2 x 43dBm)	
Maximum Input (W)	200W	
Impedance	50Ω	
Lightning Protection	10KA; 10/350μs pulse	

Mechanical	
Operating Temperature	0°C to +55°C
Storage Temperature	-40°C to +85°C
Relative Humidity	0% - 95%
Waterproof Class	Indoor
Dimensions (H x W x D)	19" inch standard chassis 8U
Net Weight	≤35 kg
Connector	4.3-10-Female



Outline Drawing:





16in 4out POI (Point of Interface)

Model: 7164.07263

Product Features:

- Low PIM
- High isolation
- Low VSWR and loss
- High reliability
- Pole or wall-mounted



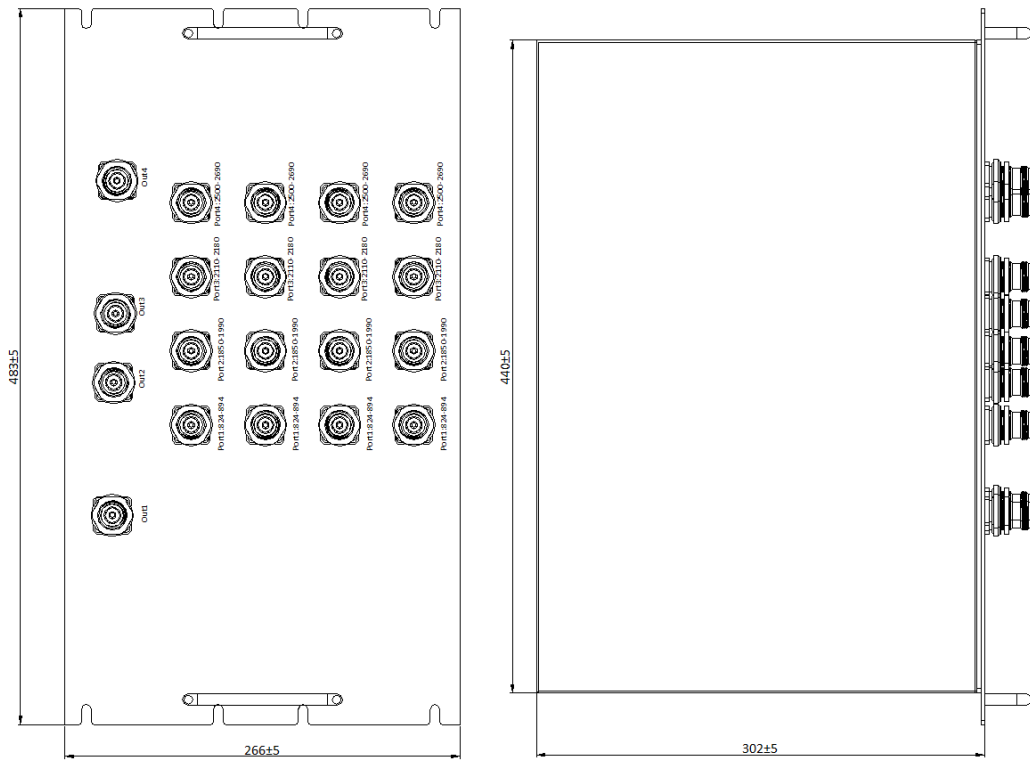
Technical Specifications:

Electrical		
Frequency Range	4 Ports GSM/LTE 700	703-803MHz
	4 Ports PCS/LTE 1900	1850-1990MHz
	4 Ports AWS/LTE 2100	1710-1755&2110-2155MHz
	4 Ports TDD/LTE 2600	2500-2690MHz
Type	16 in, 4 out	
Insert Loss	≤8.5 dB	
Isolation	Between Different Band	≥80dB
	Between Same Band	≥22dB
VSWR	≤1.4	
PIM (3 RD order)	≤ -153dBc (with 2 x 43dBm)	
Maximum Input (W)	200W	
Impedance	50Ω	
Lightning Protection	10KA; 10/350μs pulse	

Mechanical	
Operating Temperature	0°C to +55°C
Storage Temperature	-40°C to +85°C
Relative Humidity	0% - 95%
Waterproof Class	Indoor
Dimensions (H x W x D)	19" inch standard chassis 8U
Net Weight	≤35 kg
Connector	4.3-10-Female



Outline Drawing:





Termination Load 200W

Model: 553.06403

Product Features:

- Wide frequency range
- Low VSWR
- Low PIM
- High reliability

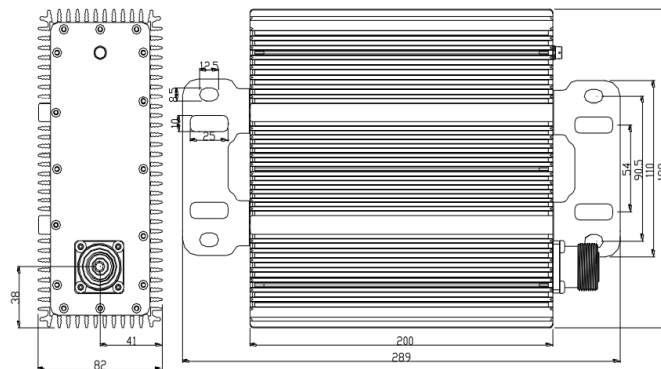


Technical Specifications:

Electrical	
Frequency Range	698-4000 MHz
VSWR	≤1.22
PIM, 3rd Order	≤ -160 dBc (2 x 43 dBm carrier)
Average Power, maximum	200 W
Impedance	50Ω

Mechanical	
Operating Temperature	-55°C to +65°C
Storage Temperature	-40°C to +85°C
Relative Humidity	5% - 95%
Classification of Waterproof	IP67
Dimensions (H x W x D)	200x198x82mm
Net Weight (with installation kit)	≤2.0 kg
Connector	4.3-10 Female

Outline Drawing:



Technical specification is subject to change without prior notice.



Attenuator (698-3800)

Model: 653.XX06383

Product Features:

- Low VSWR
- Low PIM
- High reliability

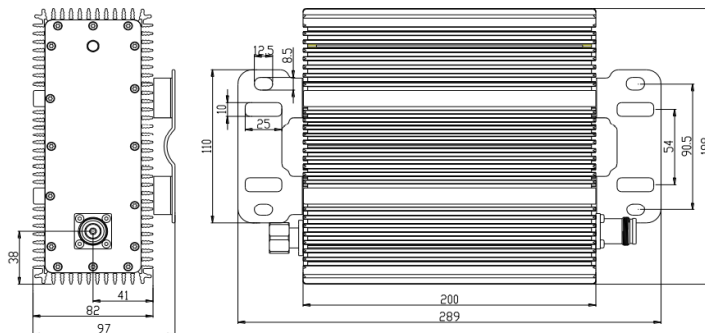


Technical Specifications:

Electrical										
Attenuation	3	5	7	10	15	20	25	30	35	40
Attenuation Accuracy	±0.6			±0.8			±1.0			
Frequency Range	698-3800 MHz									
VSWR	≤1.25									
PIM, 3rd Order	≤ -160 dBc (2 x 43 dBm carrier)									
Average Power, maximum	200 W									
Impedance	50Ω									
Grounding	DC Ground									

Mechanical	
Operating Temperature	-20°C to +60°C
Storage Temperature	-35°C to +75°C
Relative Humidity	5% - 95%
Classification of Waterproof	IP67
Dimensions (H x W x D)	200x198x82mm
Net Weight (with installation kit)	≤4.5 kg
Connector	4.3-10 Female

Outline Drawing:



Technical specification is subject to change without prior notice.



Flexible Low Loss RF Cable 1/2"

Model: 9012LZ



Technical Specifications:

CONSTRUCTION MATERIALS	
Inner Conductor	Copper-Clad Aluminum Wire
Dielectric	Physical Foam Polyethylene
Outer Conductor	Corrugated Copper Tube
Jacket	Low Smoke Halogen-free Fire-retardant

PHYSICAL DIMENSIONS	
Inner Conductor Diameter	4.80 mm
Dielectric Diameter	12.30 mm
Outer Conductor Diameter	13.80 mm
Diameter Over Jacket	15.70 mm

ELECTRICAL SPECIFICATION	
Capacitance	76.0 pF/m
Impedance	$50 \pm 1 \Omega$
Velocity	86%
RF Peak Voltage	1.60 KV
Peak Power Rating	40 KW
Cut-off Frequency	8.8 GHz
Shielding Effectiveness >10MHz	>120 dB
Insulation Resistance	5000 M Ω •km
VSWR	
0.8~1.0 GHz	≤ 1.13
1.7~2.2 GHz	≤ 1.13
2.2~2.7 GHz	≤ 1.15

MECHANICAL SPECIFICATIONS	
Minimum Bending Radius	
Single Bending	80 mm
Repeated Bending	125 mm
Minimum Number of Bends	15
Tensile Strength	1100 N



ENVIRONMENTAL SPECIFICATION	
Storage Temperature	-30 °C ~ +80 °C
Installation Temperature	-20 °C ~ +60 °C
Operation Temperature	-30 °C ~ +80 °C

PERFORMANCE			
Frequency MHz	Attenuation		Average Power
	dB/100 m	dB/100 ft	Rating (kW)
100	2.17	0.66	3.94
150	2.67	0.81	3.17
200	3.10	0.94	2.75
280	3.69	1.12	2.27
450	4.74	1.44	1.80
800	6.45	1.97	1.33
900	6.87	2.09	1.25
1000	7.28	2.22	1.18
1500	9.08	2.77	0.95
1800	10.05	3.06	0.86
2000	10.66	3.25	0.81
2200	11.24	3.43	0.77
2400	11.80	3.60	0.75
2500	12.08	3.68	0.73
3000	13.39	4.08	0.65

Standard Conditions:

- For attenuation: VSWR 1.0, cable temperature 20 °C (68 °F)
- For average power: VSWR 1.0, ambient temperature 40 °C (104 °F)
- Inner conductor temperature 100 °C (212 °F). No solar loading
- Maximum attenuation value shall be 105% off the nominal attenuation value.

Technical specification is subject to change without prior notice.

Super Flexible RF Cable 1/2"

Model: 9012SLZ



Technical Specifications:

CONSTRUCTION MATERIALS	
Inner Conductor	Copper-Clad Aluminum
Dielectric	Physical Foam Polyethylene
Outer Conductor	Helical Copper Tube
Jacket	Low Smoke Halogen-free Fire-retardant

PHYSICAL DIMENSIONS	
Inner Conductor Diameter	3.60 mm
Dielectric Diameter	9.60 mm
Outer Conductor Diameter	12.00 mm
Diameter Over Jacket	13.30 mm

ELECTRICAL SPECIFICATION	
Capacitance	80.0 pF/m
Impedance	$50 \pm 1 \Omega$
Velocity	82%
RF Peak Voltage	1.13 KV
Peak Power Rating	19 KW
Cut-off Frequency	12.5 GHz
Shielding Effectiveness >10MHz	>120 dB
Insulation Resistance	5000 M Ω •km
VSWR	
0.8~1.0 GHz	≤ 1.13
1.7~2.2 GHz	≤ 1.15
2.2~2.7 GHz	≤ 1.15
3.3~3.8 GHz	≤ 1.20

MECHANICAL SPECIFICATIONS	
Minimum Bending Radius	
Single Bending	20 mm
Repeated Bending	60 mm
Minimum Number of Bends	15
Tensile Strength	500 N



ENVIRONMENTAL SPECIFICATION	
Storage Temperature	-30 °C ~ +80 °C
Installation Temperature	-20 °C ~ +60 °C
Operation Temperature	-35 °C ~ +80 °C

PERFORMANCE			
Frequency	Attenuation		Average Power Rating
	dB/100 m	dB/100 ft	kW
MHz			
450	7.20	2.19	1.37
800	9.86	3.01	1.00
900	10.56	3.22	0.94
1000	11.15	3.40	0.88
1500	13.80	4.21	0.70
1800	15.55	4.74	0.63
2000	16.40	5.00	0.59
2200	17.35	5.29	0.56
2400	18.10	5.52	0.53
2500	18.50	5.64	0.52
3000	20.90	6.37	0.48
3500	22.94	6.99	0.44
3800	23.90	7.28	0.42

Standard Conditions:

- For attenuation: VSWR 1.0, cable temperature 20 °C (68)
- For average power: VSWR 1.0, ambient temperature 40 °C (104°F)
- Inner conductor temperature 100°C (212°F). No solar loading.
- Maximum attenuation value shall be 105% off the nominal attenuation value.

Technical specification is subject to change without prior notice.



FLEXIBLE RF CABLE 7/8"

Model: 9078



Technical Specifications:

CONSTRUCTION MATERIALS	
Inner Conductor	Smooth Copper Tube
Dielectric	Physical Foam Polyethylene
Outer Conductor	Corrugated Copper Tube
Jacket	Black PE

PHYSICAL DIMENSIONS	
Inner Conductor Diameter	8.85 mm
Dielectric Diameter	22.30 mm
Outer Conductor Diameter	24.90 mm
Diameter Over Jacket	27.50 mm

ELECTRICAL SPECIFICATION	
Capacitance	75.0 pF/m
Impedance	$50 \pm 1 \Omega$
Velocity	89%
RF Peak Voltage	3.00 KV
Peak Power Rating	91 KW
Cut-off Frequency	5.20 GHz
Shielding Effectiveness >10MHz	>120 dB
Insulation Resistance	5000 M Ω •km
VSWR	
0.8~1.0 GHz	≤ 1.20
1.7~2.2 GHz	≤ 1.20
2.2~2.7 GHz	≤ 1.20
3.3~3.8 GHz	≤ 1.20

MECHANICAL SPECIFICATIONS	
Minimum Bending Radius	
Single Bending	90 mm
Repeated Bending	250 mm
Minimum Number of Bends	15
Tensile Strength	1300 N



ENVIRONMENTAL SPECIFICATION	
Storage Temperature	-55 °C ~ +85 °C
Installation Temperature	-40 °C ~ +60 °C
Operation Temperature	-55 °C ~ +85 °C

PERFORMANCE			
Frequency MHz	Attenuation		Average Power
	dB/100 m	dB/100 ft	Rating (kW)
100	1.19	0.36	8.62
150	1.47	0.45	7.20
200	1.71	0.52	5.99
280	2.05	0.62	4.94
350	2.30	0.70	4.40
450	2.64	0.80	3.88
800	3.62	1.10	2.83
900	3.87	1.18	2.65
1000	4.10	1.25	2.50
1500	5.16	1.57	1.99
1800	5.73	1.75	1.79
2000	6.09	1.86	1.68
2200	6.44	1.96	1.59
2400	6.78	2.07	1.54
2500	6.95	2.12	1.50
3000	7.74	2.36	1.33
3300	8.25	2.51	1.26
3800	8.95	2.73	1.21

Standard Conditions:

- For attenuation: VSWR 1.0, cable temperature 20 °C (68 °F)
- For average power: VSWR 1.0, ambient temperature 40 °C (104 °F)
- Inner conductor temperature 100 °C (212 °F). No solar loading
- Maximum attenuation value shall be 105% off the nominal attenuation value.

Technical specification is subject to change without prior notice.

Flexible Low Loss RF Cable 7/8"

Model: 9078LZ



Technical Specifications:

CONSTRUCTION MATERIALS	
Inner Conductor	Smooth Copper Tube
Dielectric	Physical Foam Polyethylene
Outer Conductor	Corrugated Copper Tube
Jacket	Low Smoke Halogen-free Fire-retardant

PHYSICAL DIMENSIONS	
Inner Conductor Diameter	9.40 mm
Dielectric Diameter	22.80 mm
Outer Conductor Diameter	25.40 mm
Diameter Over Jacket	27.80 mm

ELECTRICAL SPECIFICATION	
Capacitance	74.0 pF/m
Impedance	$50 \pm 1 \Omega$
Velocity	89%
RF Peak Voltage	3.00 KV
Peak Power Rating	91 KW
Cut-off Frequency	4.90 GHz
Shielding Effectiveness >10MHz	>120 dB
Insulation Resistance	5000 M Ω •km
VSWR	
0.8~1.0 GHz	≤ 1.20
1.7~2.2 GHz	≤ 1.20
2.2~2.7 GHz	≤ 1.20
3.3~3.8 GHz	≤ 1.20

MECHANICAL SPECIFICATIONS	
Minimum Bending Radius	
Single Bending	90 mm
Repeated Bending	250 mm
Minimum Number of Bends	15
Tensile Strength	1400 N



ENVIRONMENTAL SPECIFICATION	
Storage Temperature	-38 °C ~ +80 °C
Installation Temperature	-20 °C ~ +60 °C
Operation Temperature	-30 °C ~ +85 °C

PERFORMANCE			
Frequency MHz	Attenuation		Average Power
	dB/100 m	dB/100 ft	Rating (kW)
100	1.16	0.35	7.49
150	1.43	0.44	6.05
200	1.66	0.51	5.21
280	1.99	0.61	4.33
450	2.56	0.78	3.39
800	3.51	1.07	2.48
900	3.75	1.14	2.32
1000	3.97	1.21	2.19
1500	4.99	1.52	1.74
1800	5.54	1.69	1.53
2000	5.88	1.79	1.48
2200	6.21	1.89	1.42
2400	6.54	1.99	1.31
2500	6.69	2.04	1.26
3000	7.45	2.27	1.17

Standard Conditions:

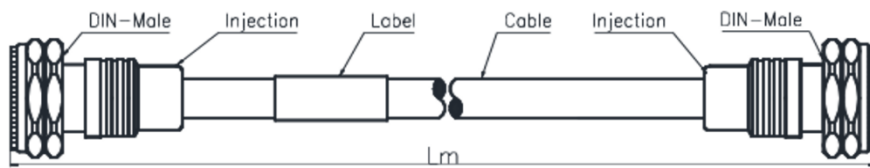
- For attenuation: VSWR 1.0, cable temperature 20 °C (68 °F)
- For average power: VSWR 1.0, ambient temperature 40 °C (104 °F)
- Inner conductor temperature 100 °C (212 °F). No solar loading
- Maximum attenuation value shall be 105% off the nominal attenuation value.

Technical specification is subject to change without prior notice.



Jumper Cable (Lm, DM-DM)

Model: 7/16M-7/16M HZCF1/2 Lm



Technical Specifications:

BASIC		
Jumper Length	Lm (customized)	
Cable Type	1/2" Flexible RF Cable	
Inner Conductor	Copper-Clad Aluminum Wire	
Dielectric	Physical Foam Polyethylene	
Outer Conductor	Corrugated Copper Tube	
Jacket	Low Smoke Halogen-free Fire-retardant	
Connector Type	7/16 type male	7/16 type male
Inner Conductor Pin	Brass/Silver Plating	Brass/Silver Plating
Body&Outer Conductor	Brass/Trimetal Plating	Brass/Trimetal Plating
Insulator	PTFE	PTFE
Gasket	Silicon Rubber	Silicon Rubber
Nut	Brass/Nickel Plating	Brass/Nickel Plating

ELECTRICAL		
Characteristics Impedance	50 Ohm	
Frequency Range	DC~ 7.5 GHz	
Insulation Resistance	≥10000MΩ	
Dielectric Withstanding Voltage	2500V rms (DC)	
Operating Voltage	1500V	
Insertion Loss	@DC-2.7 GHz	≤0.21*L+0.2dB (L=Cable Length)
VSWR	@0.8-1.0GHz	≤1.08
	@1.7-3.0GHz	≤1.10
	@4.0-6.0GHz	≤1.20
PIM3(2*43dBm)	@1800MHz	≤-155dBc



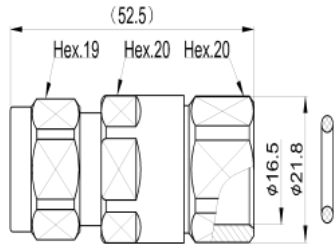
ENVIRONMENTAL & MECHANICAL	
Cable Tensile Resistance	≥450N
Torque Proof (Nut)	7/16M: 22-30N.m
Storage Temperature	-45°C to +65°C
Operating Temperature	-45°C to +85°C
Waterproof Level	IP68 24hr, 1m, 20°C
RoHS	Compliant

Technical specification is subject to change without prior notice.



N Straight Male Connector for 1/2 RF Cable

Model: NM-1/2L



TECHNICAL SPECIFICATIONS:

MATERIAL AND PLATING	
Inner Conductor	Tin Bronze / Silver Plating
Body & Outer Conductor	Brass / Trimetal Plating
Insulator	PTFE/TPX
Gasket	Silicon Rubber
Nut	Brass/Trimetal Plating

ELECTRICAL		
Characteristics Impedance	50 Ohm	
Frequency Range	DC~6.0GHz	
Insulation Resistance	≥5000MΩ	
Dielectric Withstanding Voltage	2500V rms	
Operating Voltage	1500V rms	
Center Contact Resistance	≤1.00 mΩ	
Outer Contact Resistance	≤0.25 mΩ	
Insertion Loss	@DC-2.7 GHz	≤0.10dB
VSWR	@0.8-1.0 GHz	≤1.08
	@1.7-2.7 GHz	≤1.10
PIM3(2*43dBm)	@1800MHz	≤-155dBc

ENVIRONMENTAL & MECHANICAL	
Durability (matings)	≥500 cycles
Mechanical Shock Test Method	MIL-STD-202, Method 213, Test Condition D
Vibration Test Method	MIL-STD-202, Meth. 204, Cond. A
Temperature Range	-45°C to +85°C



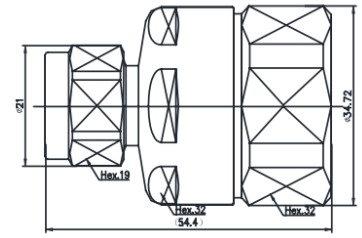
RoHS	Compliant
Sealing Class	IP68 24hr, 1m, 20°C

Technical specification is subject to change without prior notice.



N Straight Male Connector for 7/8 RF Cable

Model: NM-7/8L



TECHNICAL SPECIFICATIONS:

MATERIAL AND PLATING	
Inner Conductor	Brass / Silver Plating
Outer Conductor & Body	Brass / Trimetal Plating
Insulator	PTFE/TPX
Gasket	Silicon Rubber
Nut	Brass/Trimetal Plating

ELECTRICAL		
Characteristics Impedance	50 Ohm	
Interface Frequency Range	DC~6.0GHz	
Insulation Resistance	≥5000MΩ	
Dielectric Withstanding Voltage	2500V rms	
Operating Voltage	1500V rms	
Center Contact Resistance	≤1.00mΩ	
Outer Contact Resistance	≤0.25mΩ	
Insertion Loss	@DC-2.7 GHz	≤0.10dB
VSWR	@DC-1.0 GHz	≤1.08
	@1.7-2.7 GHz	≤1.10
PIM3(2*43dBm)	@1800MHz	≤-155dBc

ENVIRONMENTAL & MECHANICAL	
Durability (matings)	≥500 cycles
Mechanical Shock Test Method	MIL-STD-202, Method 213, Test Condition D
Vibration Test Method	MIL-STD-202, Meth. 204, Cond. A
Temperature Range	-45°C to +85°C



RoHS	Compliant
Sealing Class	IP68 24hr, 1m, 20°C

Technical specification is subject to change without prior notice.



Power Tapper (340-698)

Model: 8XX.03061

Product Features:

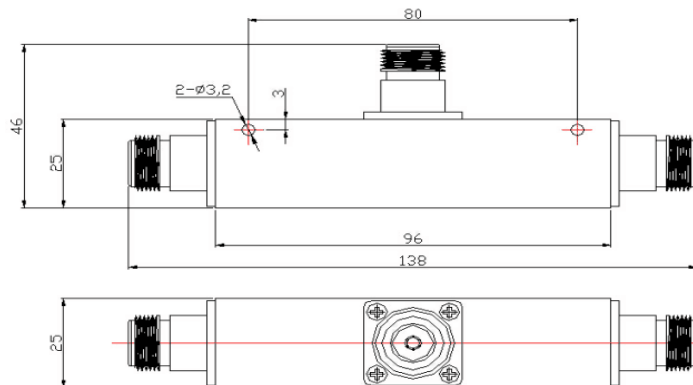
- TETRA/ Coverage
- Low PIM/VSWR/Insert Loss
- High Isolation, Indoor & Outdoor, IP65
- Widely used for IBS/DAS



Technical Specifications:

8XX.03061	806.03061	810.03061	815.03061	820.03061	830.03061
Splitting Ratio	4:1	10:1	30:1	100:1	1000:1
Frequency Range	340-698 MHz				
Insert Loss	≤ 1.7 dB	≤ 0.6 dB	≤ 0.3 dB	≤ 0.3 dB	≤ 0.3 dB
Coupling	6 dB	10 dB	15 dB	20 dB	30 dB
PIM 3rd order @ 2 x 20 W	≤ -150 dBc				
VSWR	≤ 1.35				
Power Rating	300W (average)				
Connector	N Female				
Temperature Range	-30 °C – +75 °C				
Degree of Protection	IP 65				
Weight	0.3 kg				
Installation	Wall/Mast Mounting				
Dimensions (WxHxD)	138x46x25mm				

Outline Drawing:





Shenzhen Prevail Technology Co., Ltd.

1107, Zhongfutai Building, Guangke Road #1, Pingshan District, Shenzhen 518122, China

Tel: +86-755-26466353

Email: info@prevailtec.com

www.prevailtec.com

